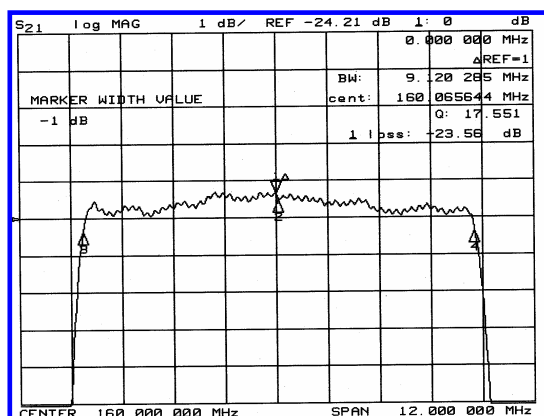
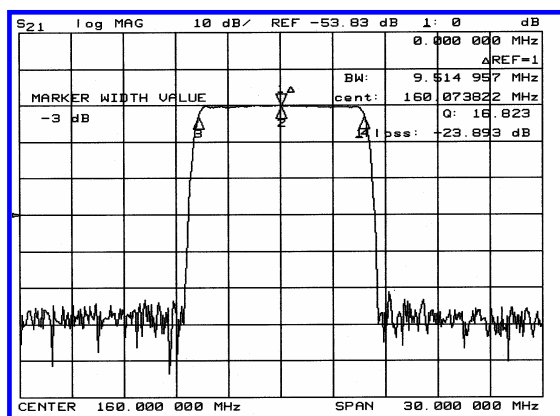


SGC Technologies Inc 160 MHz Bandpass Filter

9.4 MHz Bandwidth

312131

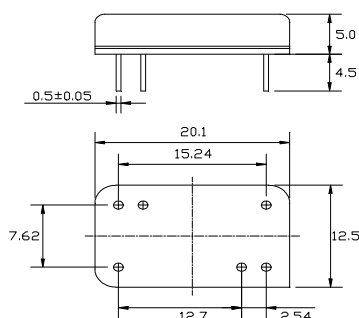
Typical Performance



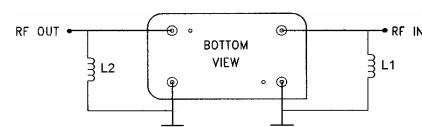
Specification

Parameter	Unit	Min.	Typ.	Max.
Center Frequency	Mhz	159.80	160.00	160.20
Insertion Loss	dB	-	23.5	25.0
1dB Bandwidth	Mhz	9.00	9.12	-
3dB Bandwidth	Mhz	9.40	9.50	-
40dB Bandwidth	Mhz	-	10.85	11.00
Passband Ripple	dB	-	0.70	1.00
Group Delay Variation	nsec	-	70	120
Absolute Delay	usec	-	2.87	-
Ultimate Attenuation	dB	50	55	-
Substrate Material	-	LiTaO ₃		

Package Dimension



Matching Configuration



L1 = 12nH , L2 = 27nH
Source / Load Impedance = 50Ω
Ambient Temperature = 25°C

12-17-2002