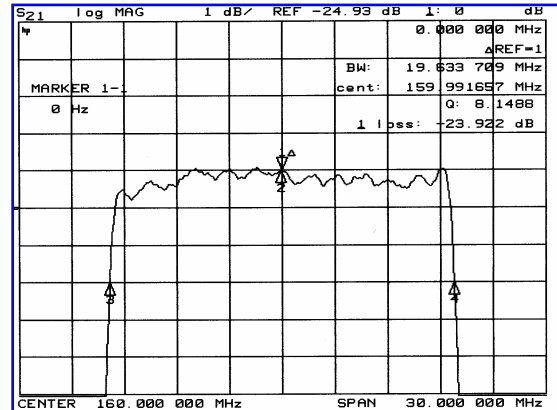
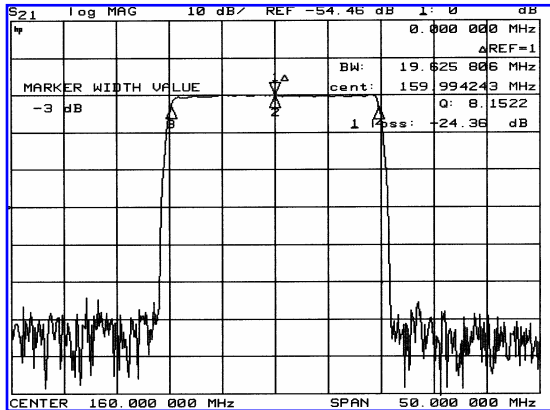


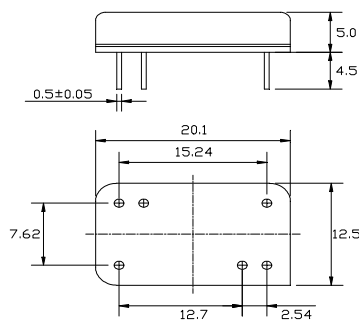
Typical Performance



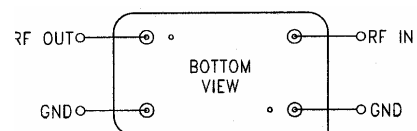
Specification

Parameter	Unit	Min.	Typ.	Max.
Center Frequency	Mhz	159.80	160.00	160.20
Insertion Loss	dB		24.0	25.5
3dB Bandwidth	Mhz	19.50	19.63	
40dB Bandwidth	Mhz		21.65	21.80
Passband Ripple	dB		0.75	1.00
Group Delay Variation	nsec		50	100
Absolute Delay	usec		1.56	
Ultimate Attenuation	dB	50	60	
Substrate Material	-		128 LiNbO ₃	

Package Dimension



Matching Configuration



Bottom View
 Source / Load Impedance = 50Ω
 Ambient Temperature = 25°C