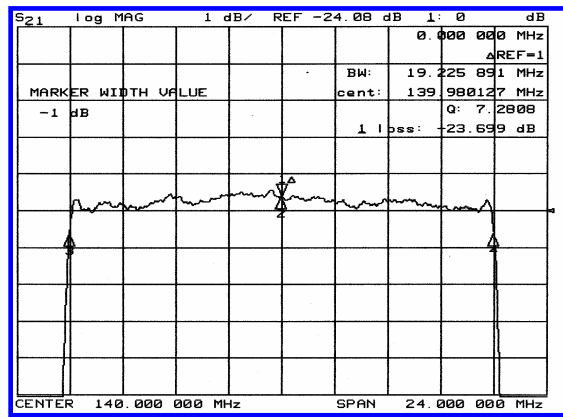
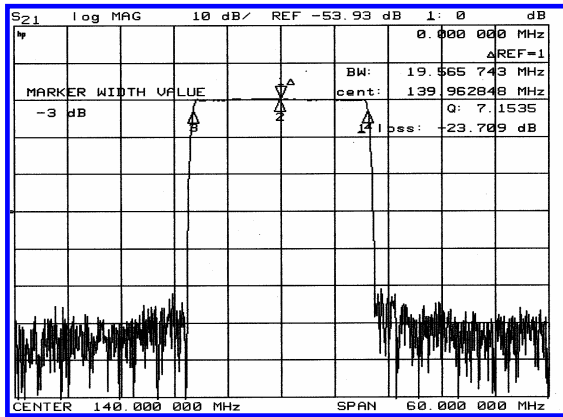


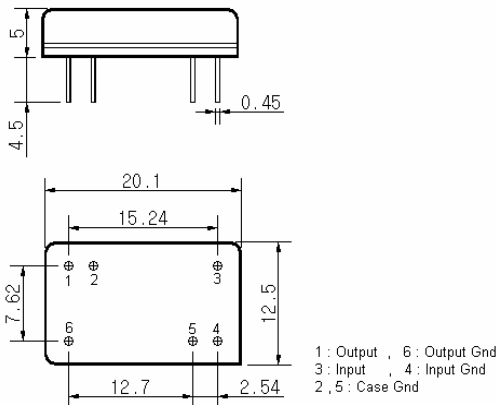
**Typical Performance**



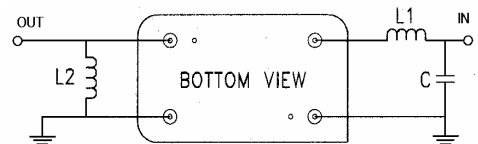
**Specification**

Parameter	Unit	Min.	Typ.	Max.
Center Frequency	Mhz	139.85	140.00	140.15
Insertion Loss	dB	-	24.00	25.50
1dB Bandwidth	Mhz	19.10	19.22	-
3dB Bandwidth	Mhz	19.45	19.55	-
40dB Bandwidth	Mhz	-	20.90	21.30
Passband Ripple	dB	-	0.65	1.00
Group Delay Variation	nsec	-	50	100
Absolute Delay	µsec	-	2.2	-
Ultimate Attenuation	dB	50	55	-
Substrate Material	-	128-LiNbO <sub>3</sub>		
Temperature Coefficient	ppm/°C	-72		

**Package Dimension**



**Matching Configuration**



L1= 33H, L2=0.15µH , C=15pF  
Source / Load Impedance = 50Ω  
Ambient Temperature = 25°C