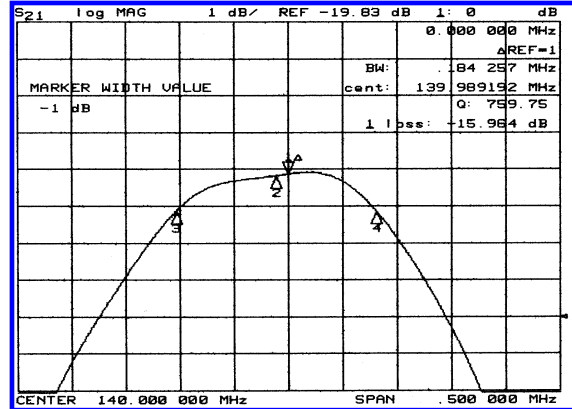
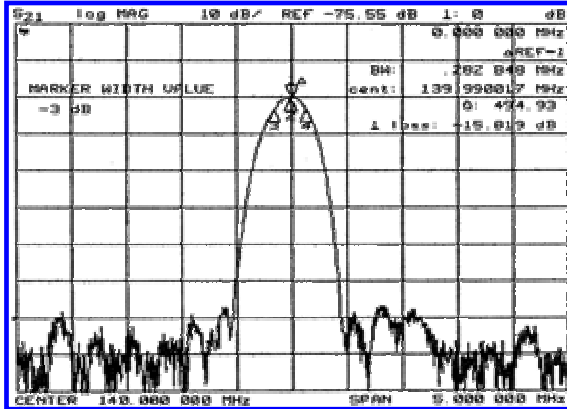


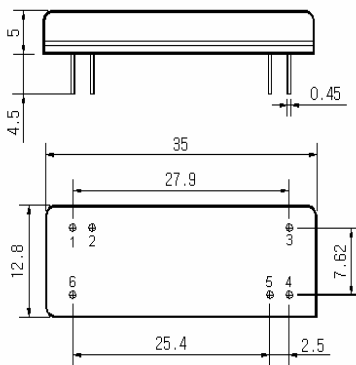
Typical Performance



Specification

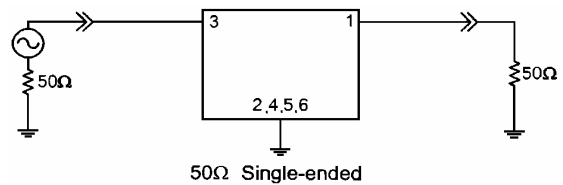
Parameter	Unit	Min.	Typ.	Max.
Center Frequency	Mhz	139.90	140.00	140.10
Insertion Loss	dB	-	15.50	18.00
1dB Bandwidth	Mhz	0.15	0.18	-
3dB Bandwidth	Mhz	0.25	0.28	-
40dB Bandwidth	Mhz	-	0.85	0.95
Passband Ripple	dB	-	0.35	0.50
Group Delay Variation	nsec	-	300	500
Absolute Delay	µsec	-	3.0	-
Ultimate Attenuation	dB	50	55	
Substrate Material	-	Quartz		
Temperature Coefficient	ppm/°C	-0.03		

Package Dimension



1 : Output , 6 : Output Gnd
3 : Input , 4 : Input Gnd
2 , 5 : Case Gnd

Matching Configuration



No Matching required
Source / Load Impedance = 50Ω
Ambient Temperature = 25°C