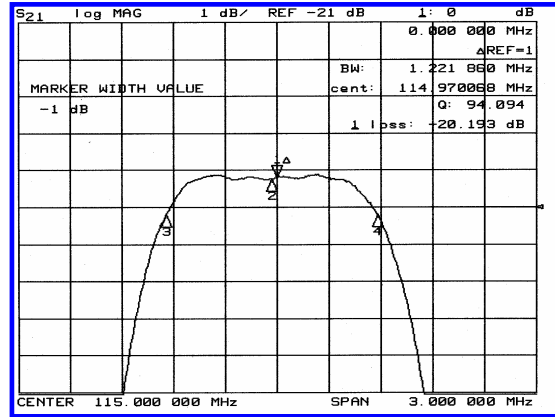
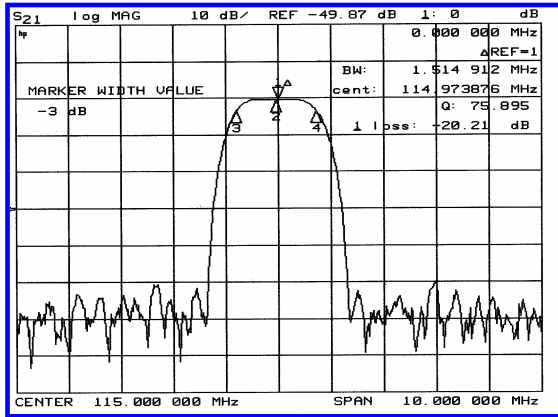


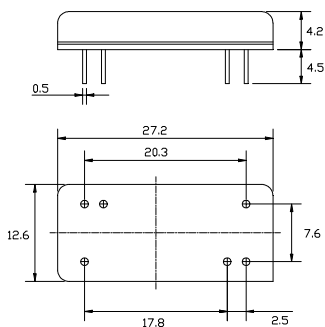
Typical Performance



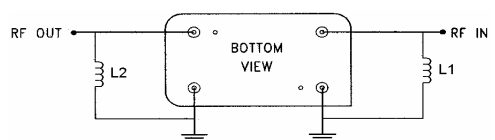
Specification

| Parameter | Unit | Min. | Typ. | Max. |
|-----------------------|------|--------|--------|--------|
| Center Frequency | Mhz | 114.92 | 114.99 | 115.06 |
| Insertion Loss | dB | - | 20.50 | 23.00 |
| 1dB Bandwidth | Mhz | 1.10 | 1.23 | - |
| 3dB Bandwidth | Mhz | 1.50 | 1.53 | - |
| 40dB Bandwidth | Mhz | - | 2.55 | 2.80 |
| Passband Ripple | dB | - | 0.35 | 0.60 |
| Group Delay Variation | nsec | - | 100 | 200 |
| Absolute Delay | usec | - | 2.65 | - |
| Ultimate Attenuation | dB | 50 | 55 | - |
| Substrate Material | - | - | Quartz | - |

Package Dimension



Matching Configuration



L1=L2=56nH
Source / Load Impedance = 50Ω
Ambient Temperature = 25°C