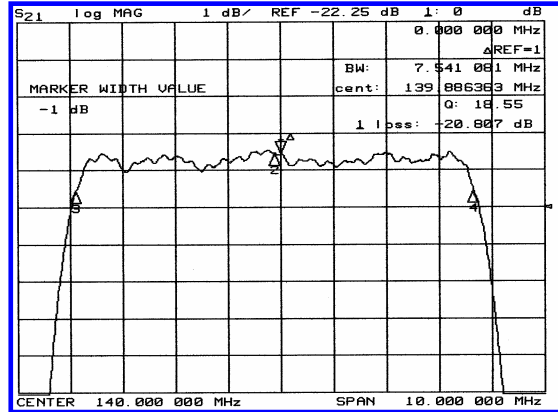
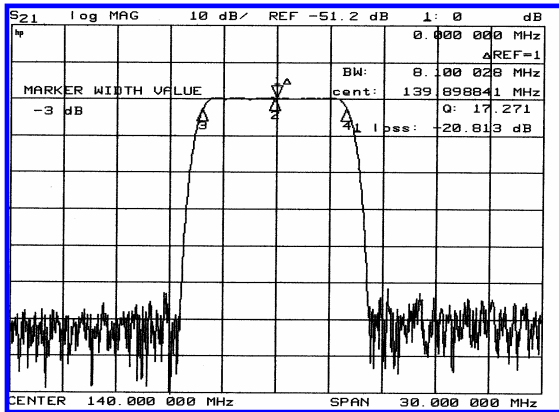


SGC Technologies Inc 140 MHz Bandpass Filter 8.0 MHz Bandwidth

312541

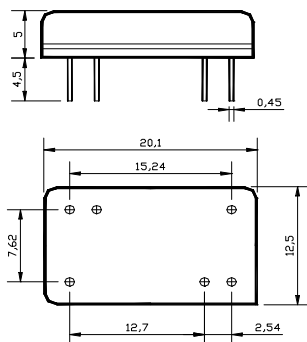
Typical Performance



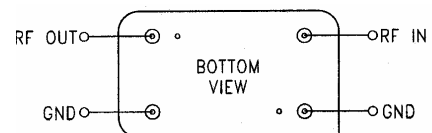
Specification

Parameter	Unit	Min.	Typ.	Max.
Center Frequency	Mhz	139.80	140.00	140.20
Insertion Loss	dB	-	21.00	22.50
1dB Bandwidth	MHz	7.30	7.56	-
3dB Bandwidth	Mhz	8.00	8.13	-
40dB Bandwidth	Mhz	-	10.25	10.40
Passband Ripple	dB	-	0.45	0.80
Group Delay Variation	nsec	-	70	200
Absolute Delay	µsec	-	1.81	-
Ultimate Attenuation	dB	50	55	-
Operating Temp. Range	°C	-20	+25	+70
Substrate Material	-	YZ LiNbO ₃ (-94ppm/°C)		

Package Dimension



Matching Configuration



No Matching required
Source / Load Impedance = 50Ω
Ambient Temperature = 25°C

06/17/2002