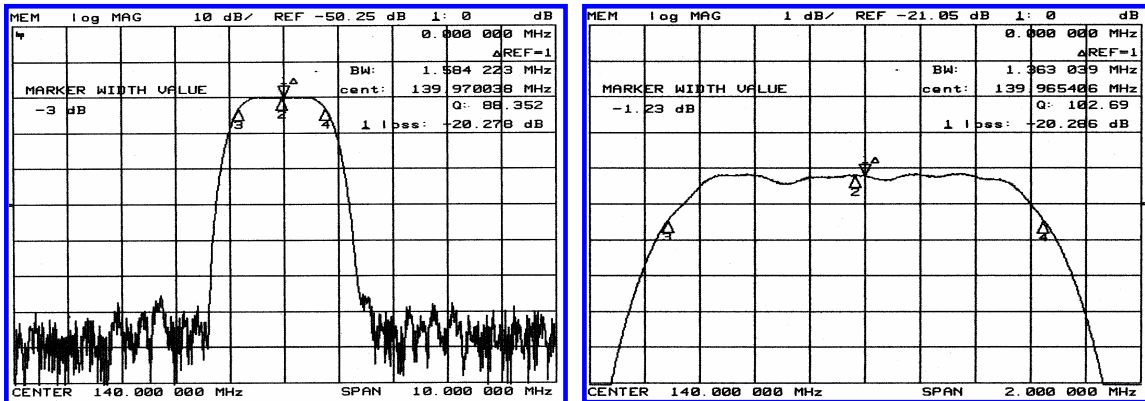


# SGC Technologies Inc 140 MHz Bandpass Filter 1.5 MHz Bandwidth

312572

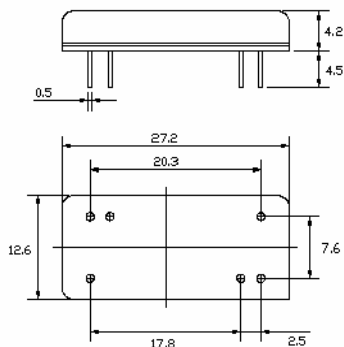
## Typical Performance



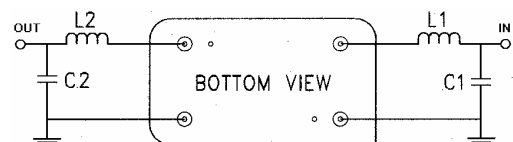
## Specification

Parameter	Unit	Min.	Typ.	Max.
Center Frequency	Mhz	139.85	140.00	140.15
Insertion Loss	dB	-	20.50	25.00
1dB Bandwidth	MHz	1.20	1.30	-
3dB Bandwidth	Mhz	1.50	1.58	-
40dB Bandwidth	Mhz	-	2.60	2.70
Passband Ripple	dB	-	0.35	0.70
Group Delay Variation	nsec	-	100	200
Absolute Delay	µsec	-	2.74	-
Ultimate Attenuation	dB	50	55	-
Substrate Material	-	-	Quartz	-

## Package Dimension



## Matching Configuration



L1 = L2 = 68nH, C1 = C2 = 15pF  
 Source / Load Impedance = 50Ω  
 Ambient Temperature = 25°C

05/28/2003