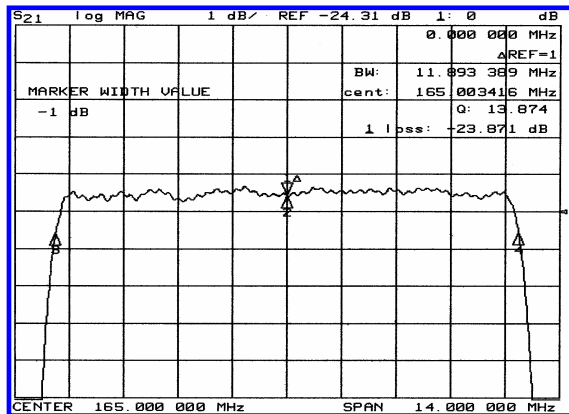
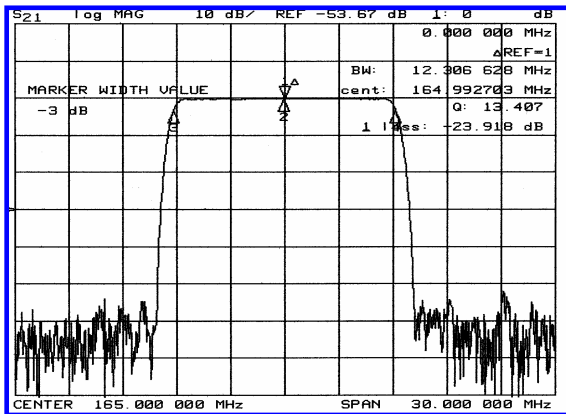


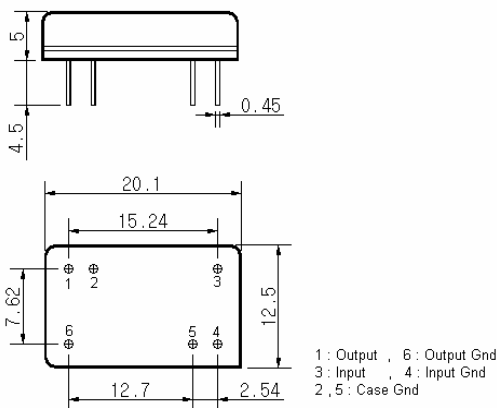
Typical Performance



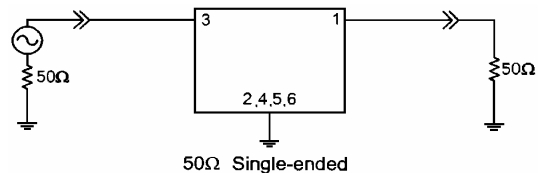
Specification

Parameter	Unit	Min.	Typ.	Max.
Center Frequency	Mhz	164.80	165.00	165.20
Insertion Loss	dB	-	24.00	25.50
1dB Bandwidth	Mhz	11.80	11.90	-
3dB Bandwidth	Mhz	12.20	12.30	-
40dB Bandwidth	Mhz	-	14.00	14.30
Passband Ripple	dB	-	0.55	1.00
Group Delay Variation	nsec	-	80	150
Absolute Delay	µsec	-	2.0	-
Ultimate Attenuation	dB	50	55	
Substrate Material	-	YZ-LiNbO ₃		
Temperature Coefficient	ppm/°C	-94		

Package Dimension



Matching Configuration



No Matching required
Source / Load Impedance = 50Ω
Ambient Temperature = 25°C