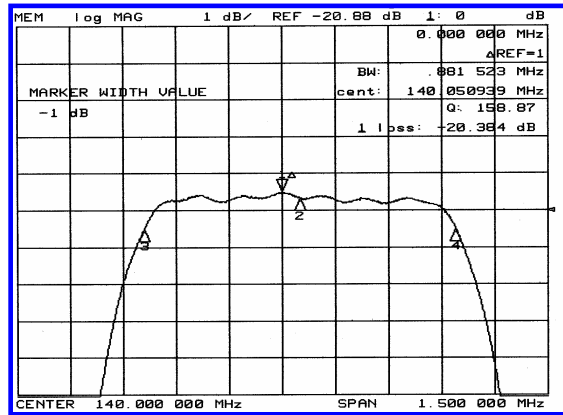
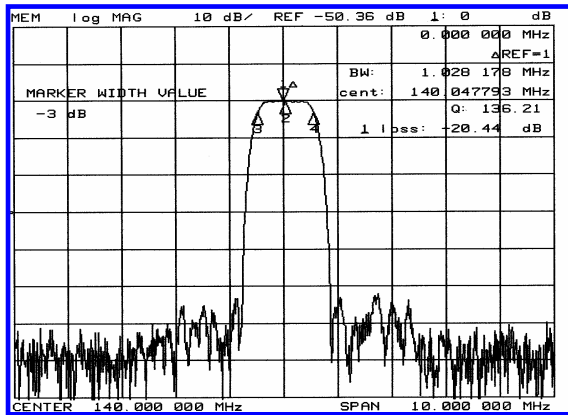


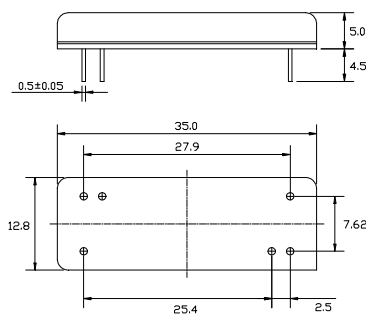
Typical Performance



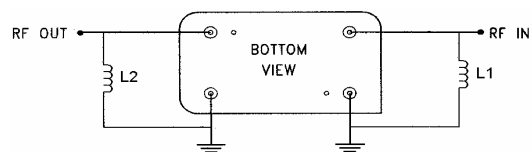
Specification

Parameter	Unit	Min.	Typ.	Max.
Center Frequency	Mhz	139.85	140.00	140.15
Insertion Loss	dB	-	20.50	22.00
1dB Bandwidth	Mhz	0.80	0.88	
3dB Bandwidth	Mhz	0.95	1.02	-
50dB Bandwidth	Mhz	-	1.62	1.80
Passband Ripple	dB	-	0.45	0.80
Group Delay Variation	nsec	-	150	200
Absolute Delay	µsec	-	4.27	-
Ultimate Attenuation	dB	50	55	-
Substrate Material	-	Quartz		

Package Dimension



Matching Configuration



L1 = 33nH , L2 = 47nH
Source / Load Impedance = 50Ω
Ambient Temperature = 25°C