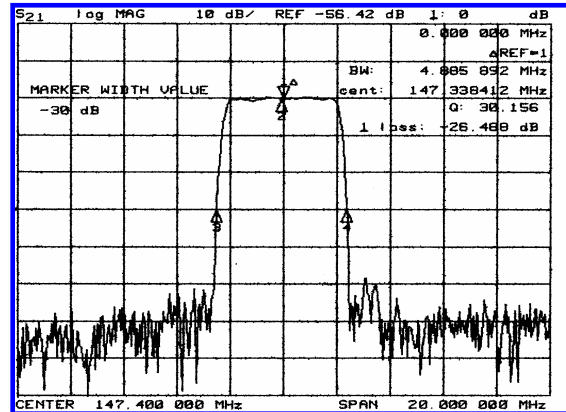
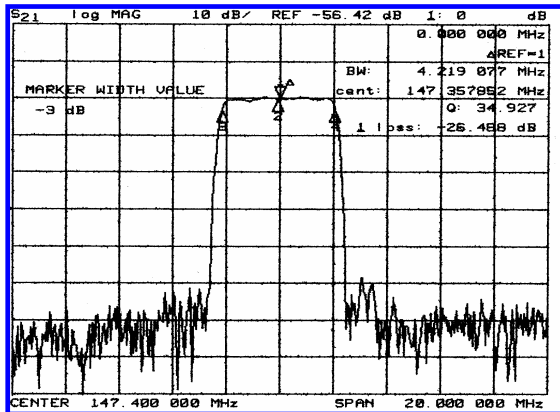


SGC Technologies Inc 147.2 MHz Bandpass Filter 4.2 MHz Bandwidth

312733

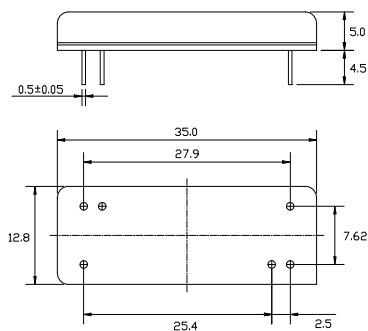
Typical Performance



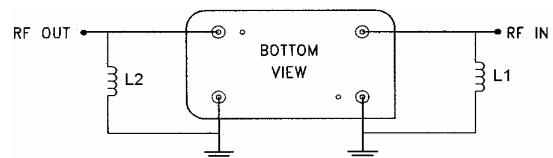
Specification

Parameter	Unit	Min.	Typ.	Max.
Center Frequency	Mhz	147.00	147.20	147.40
Insertion Loss	dB	-	26.50	28.00
1dB Bandwidth	Mhz	4.00	4.06	
3dB Bandwidth	Mhz	4.20	4.22	-
30dB Bandwidth	Mhz	-	4.88	5.00
Passband Ripple	dB	-	1.00	1.30
Group Delay Variation	nsec	-	200	300
Absolute Delay	μsec	-	4.90	-
Ultimate Attenuation	dB	45	50	-
Substrate Material	-	112-LiTaO ₃		

Package Dimension



Matching Configuration



L1 = 10nH , L2 = 33nH
Source / Load Impedance = 50Ω
Ambient Temperature = 25°C

11/11/2002