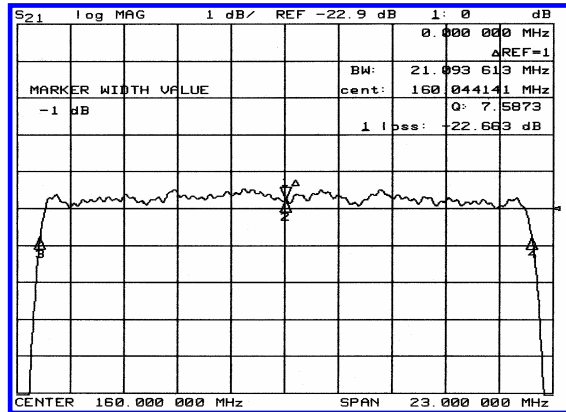
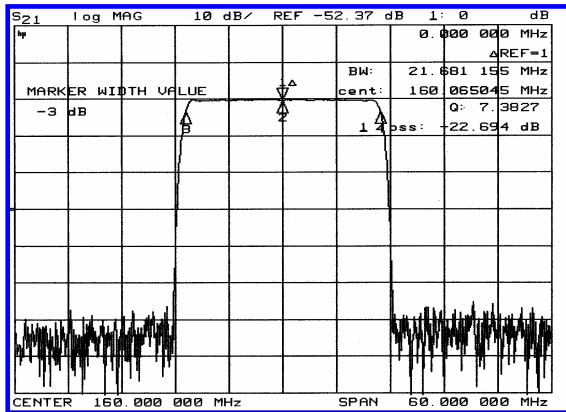


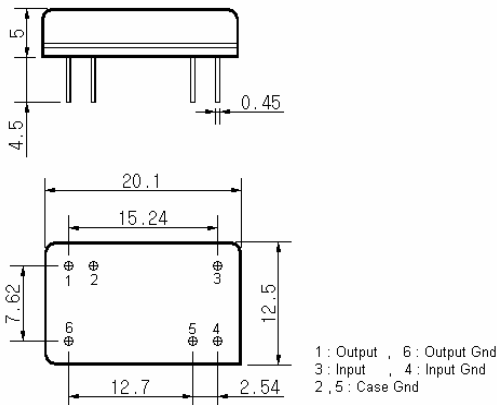
Typical Performance



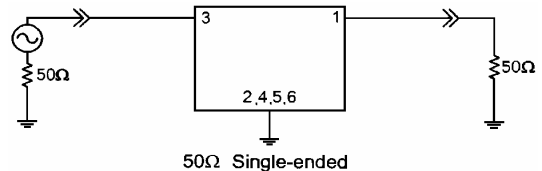
Specification

Parameter	Unit	Min.	Typ.	Max.
Center Frequency	Mhz	159.80	160.00	160.20
Insertion Loss	dB	-	23.00	24.50
1dB Bandwidth	Mhz	20.90	21.10	-
3dB Bandwidth	Mhz	21.50	21.68	-
40dB Bandwidth	Mhz	-	24.00	24.30
Passband Ripple	dB	-	0.55	1.00
Group Delay Variation	nsec	-	50	100
Absolute Delay	µsec	-	1.4	-
Ultimate Attenuation	dB	50	55	
Substrate Material	-	128-LiNbO <sub>3</sub>		
Temperature Coefficient	ppm/°C	-76		

Package Dimension



Matching Configuration



No Matching required  
Source / Load Impedance = 50Ω  
Ambient Temperature = 25°C