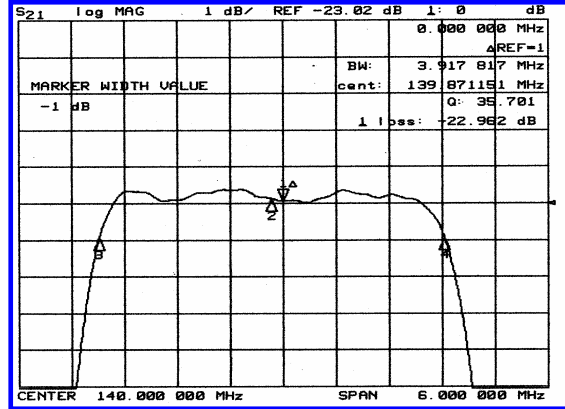
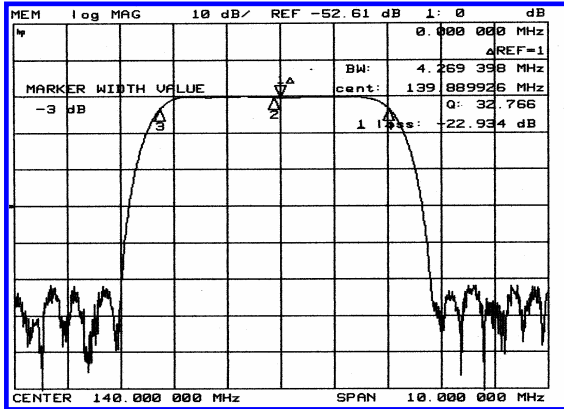


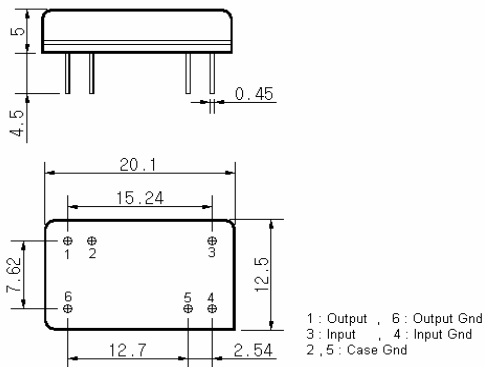
Typical Performance



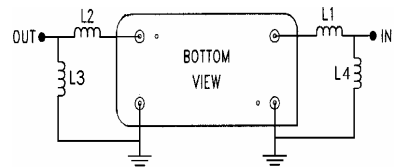
Specification

Parameter	Unit	Min.	Typ.	Max.
Center Frequency	Mhz	139.85	140.00	140.15
Insertion Loss	dB	-	23.00	24.50
1dB Bandwidth	Mhz	3.80	3.92	-
3dB Bandwidth	Mhz	4.00	4.26	-
40dB Bandwidth	Mhz	-	5.65	6.00
Passband Ripple	dB	-	0.45	0.80
Group Delay Variation	nsec	-	60	120
Absolute Delay	µsec	-	1.8	-
Ultimate Attenuation	dB	50	55	-
Substrate Material	-	Quartz		

Package Dimension



Matching Configuration



L1 = 22nH, L2 = 18nH, L3 = 27nH, L4 = 33nH  
Source / Load Impedance = 50Ω  
Ambient Temperature = 25°C