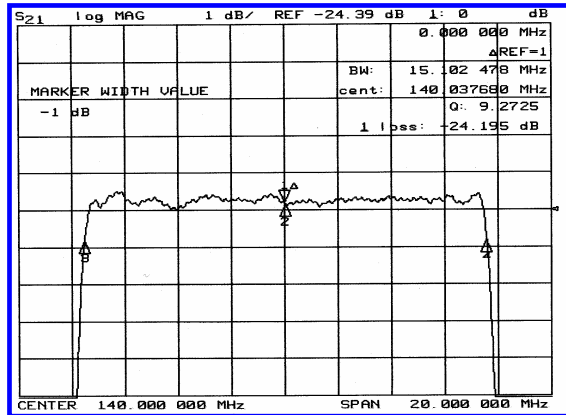
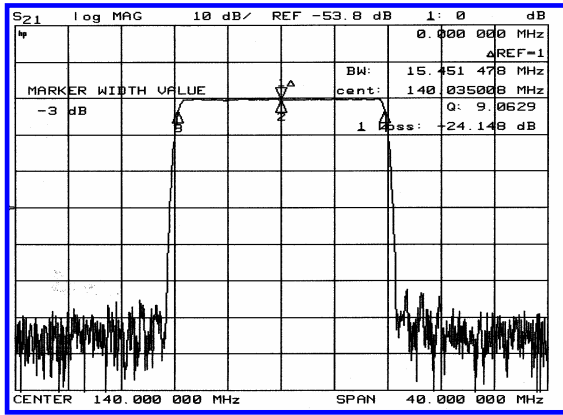


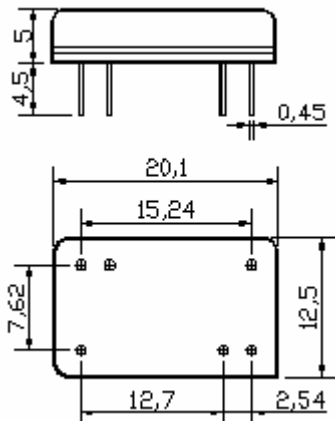
Typical Performance



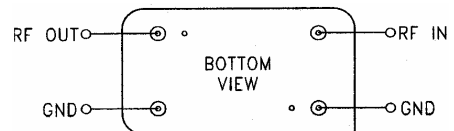
Specification

Parameter	Unit	Min.	Typ.	Max.
Center Frequency	Mhz	139.85	140.00	140.15
Insertion Loss	dB	-	24.0	25.5
1dB Bandwidth	Mhz	15.00	15.10	-
3dB Bandwidth	Mhz	15.30	15.45	-
40dB Bandwidth	Mhz	-	16.96	17.20
Passband Ripple	dB	-	0.55	1.00
Group Delay Variation	nsec	-	50	100
Absolute Delay	µsec	-	2.1	-
Ultimate Attenuation	dB	50	55	-
Substrate Material	-	128-LiNbO ₃		
Temperature Coefficient	ppm/°C	-72		

Package Dimension



Matching Configuration



No matching Required
Source / Load Impedance = 50Ω
Ambient Temperature = 25°C