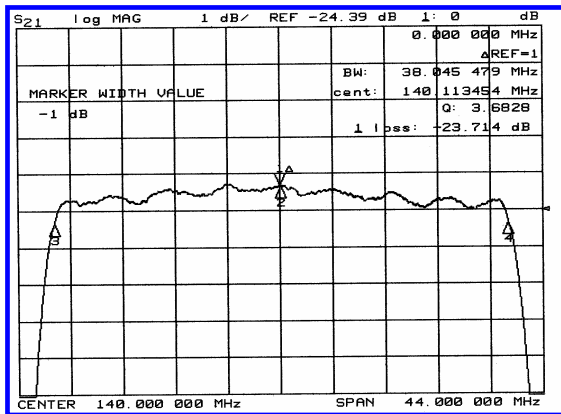
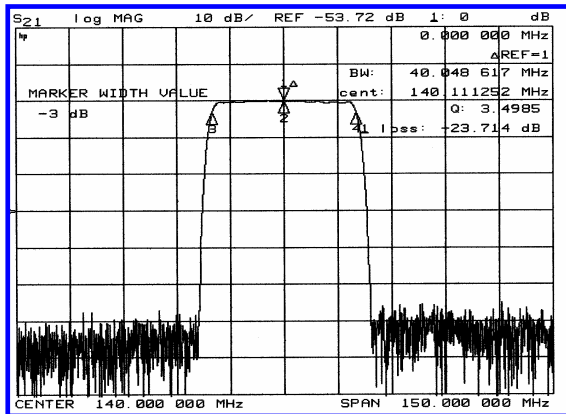


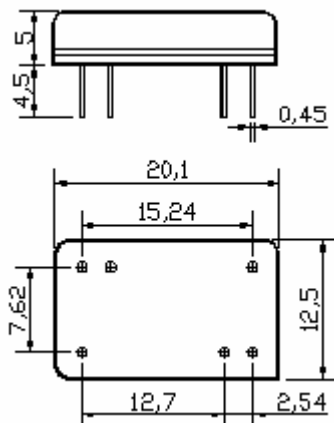
Typical Performance



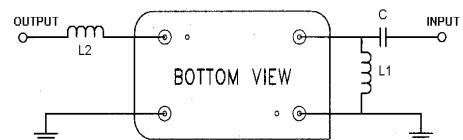
Specification

Parameter	Unit	Min.	Typ.	Max.
Center Frequency	Mhz	139.85	140.00	140.15
Insertion Loss	dB	-	23.5	25.0
1dB Bandwidth	Mhz	37.80	38.04	-
3dB Bandwidth	Mhz	39.95	40.04	-
40dB Bandwidth	Mhz	-	46.71	47.00
Passband Ripple	dB	-	0.75	1.00
Group Delay Variation	nsec	-	50	100
Absolute Delay	µsec	-	1.1	-
Ultimate Attenuation	dB	50	55	-
Substrate Material	-	128-LiNbO ₃		
Temperature Coefficient	ppm/°C	-72		

Package Dimension



Matching Configuration



L1=56nH , L2=33nH , C1=150pF
Source / Load Impedance = 50Ω
Ambient Temperature = 25°C