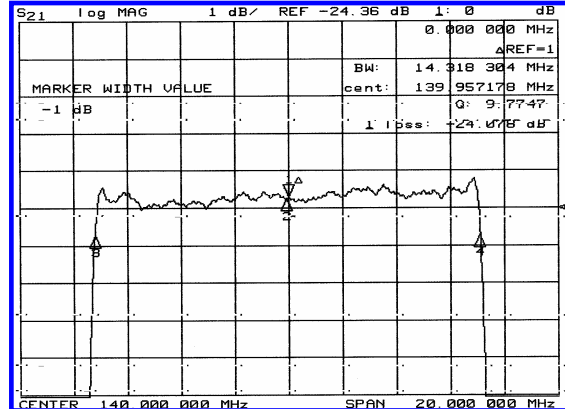
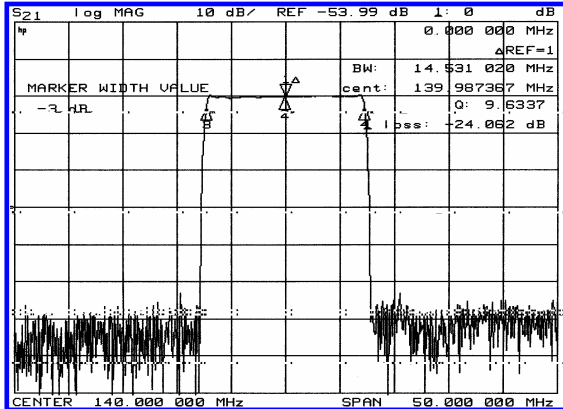


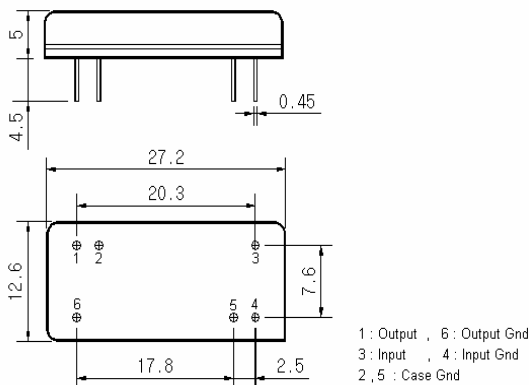
Typical Performance



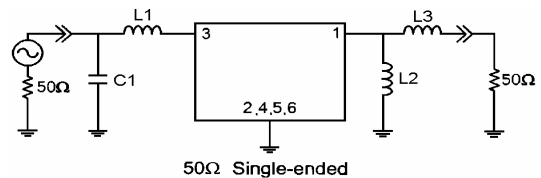
Specification

Parameter	Unit	Min.	Typ.	Max.
Center Frequency	Mhz	139.85	140.00	140.15
Insertion Loss	dB	-	24.00	25.50
1dB Bandwidth	Mhz	14.15	14.25	-
3dB Bandwidth	Mhz	14.45	14.53	-
10dB Bandwidth	Mhz	-	14.95	15.10
40dB Bandwidth	Mhz	-	15.55	15.80
Passband Ripple (Fo±6.875Mhz)	dB	-	0.75	1.00
Group Delay Variation (Fo±6.875Mhz)	nsec	-	80	150
Absolute Delay	µsec	-	2.7	-
Ultimate Attenuation	dB	50	55	-
Substrate Material	-	128-LiNbO ₃		
Temperature Coefficient	ppm/°C	-72		

Package Dimension



Matching Configuration



L1=12nH, L2=56nH, L3=12nH, C1=33pF
Source / Load Impedance = 50Ω
Ambient Temperature = 25°C