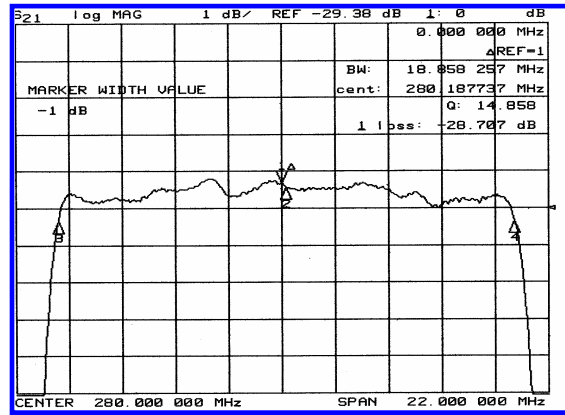
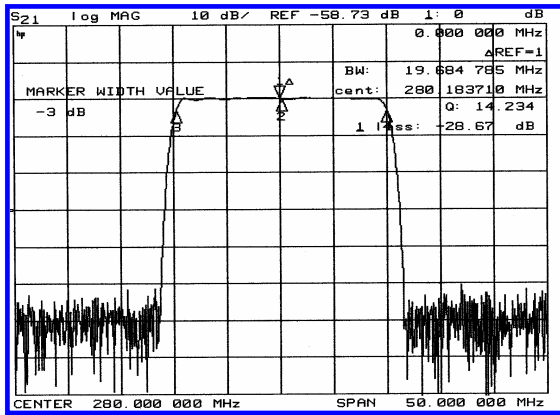


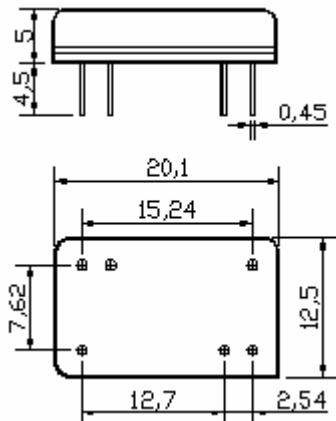
Typical Performance



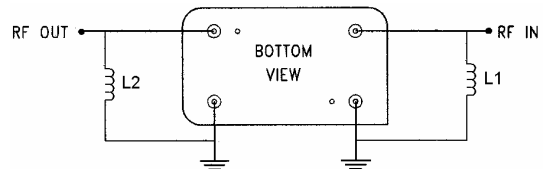
Specification

| Parameter | Unit | Min. | Typ. | Max. |
|-------------------------|--------|--------------------|--------|--------|
| Center Frequency | Mhz | 279.90 | 280.00 | 280.30 |
| Insertion Loss | dB | - | 28.5 | 30.0 |
| 1dB Bandwidth | Mhz | 18.70 | 18.85 | - |
| 3dB Bandwidth | Mhz | 19.50 | 19.68 | - |
| 40dB Bandwidth | Mhz | - | 22.43 | 22.80 |
| Passband Ripple | dB | - | 0.75 | 1.00 |
| Group Delay Variation | nsec | - | 50 | 100 |
| Absolute Delay | µsec | - | 3.6 | - |
| Ultimate Attenuation | dB | 50 | 55 | |
| Substrate Material | - | LiTaO ₃ | | |
| Temperature Coefficient | ppm/°C | -24 | | |

Package Dimension



Matching Configuration



L1 = 18nH , L2 = 10nH
Source / Load Impedance = 50Ω
Ambient Temperature = 25°C