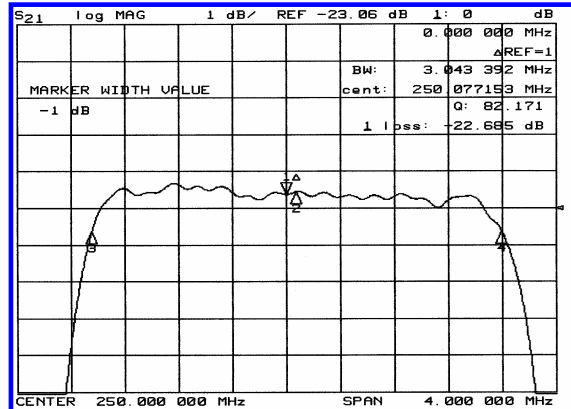
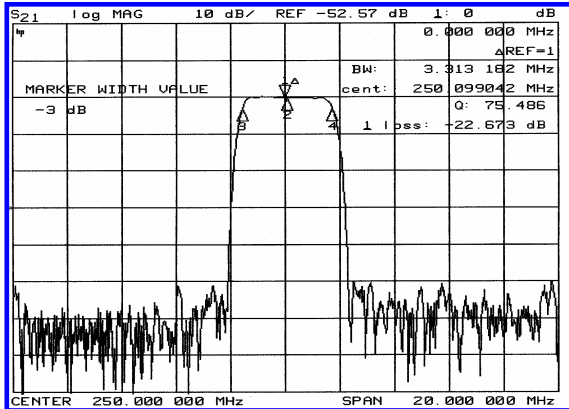


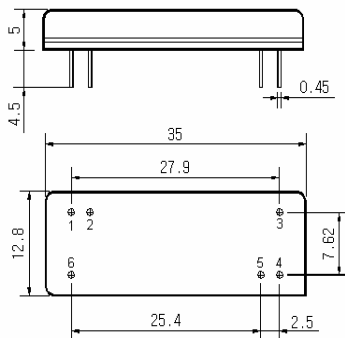
Typical Performance



Specification

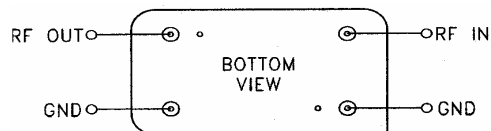
Parameter	Unit	Min.	Typ.	Max.
Center Frequency	Mhz	249.75	250.00	250.25
Insertion Loss	dB	-	22.50	24.50
1dB Bandwidth	Mhz	2.90	3.05	-
3dB Bandwidth	Mhz	3.00	3.30	-
40dB Bandwidth	Mhz	-	4.30	4.40
Passband Ripple (Fc±1.2Mhz)	dB	-	0.65	0.80
Group Delay Variation (Fc±1.2Mhz)	nsec	-	100	200
Phase Linearity (Fc±1.2Mhz)	deg	-	5.0	10.0
Absolute Delay	µsec	-	2.7	-
Ultimate Attenuation	dB	50	55	-
Substrate Material	-	Quartz		
Temperature Coefficient	ppm/°C	-0.03		

Package Dimension



1 : Output , 6 : Output Gnd
3 : Input , 4 : Input Gnd
2 , 5 : Case Gnd

Matching Configuration



No Matching required
Source / Load Impedance = 50Ω
Ambient Temperature = 25°C