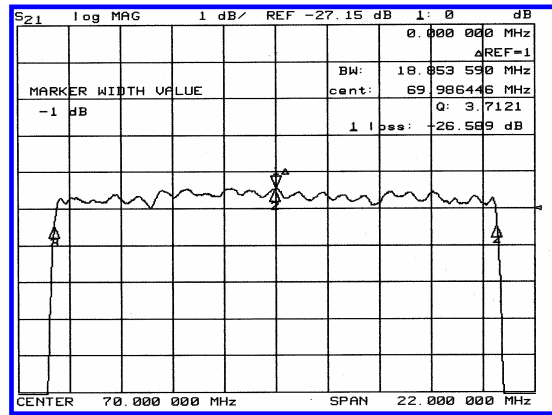
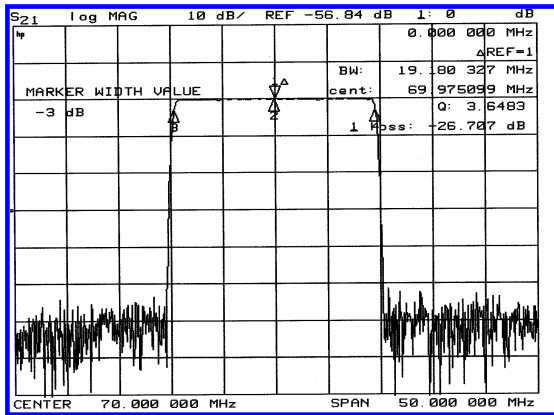


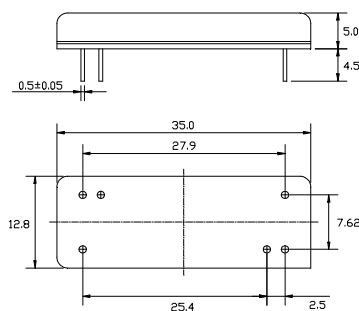
Typical Performance



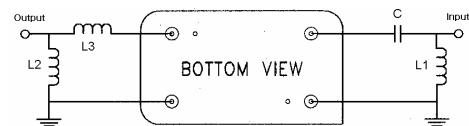
Specification

Parameter	Unit	Min.	Typ.	Max.
Center Frequency	Mhz	69.92	70.00	70.08
Insertion Loss	dB	-	26.5	28.0
1dB Bandwidth	Mhz	18.65	18.85	-
3dB Bandwidth	Mhz	19.00	19.18	-
50dB Bandwidth	Mhz	-	20.60	20.80
Passband Ripple	dB	-	0.55	1.00
Group Delay Variation	nsec	-	50	100
Absolute Delay	usec	-	2.58	-
Ultimate Attenuation	dB	50	55	-
Substrate Material	-	128-LiNbO ₃		

Package Dimension



Matching Configuration



L1=100nH, L2=0.56μH, L3=68nH C=100pF
Source / Load Impedance = 50Ω
Ambient Temperature = 25°C