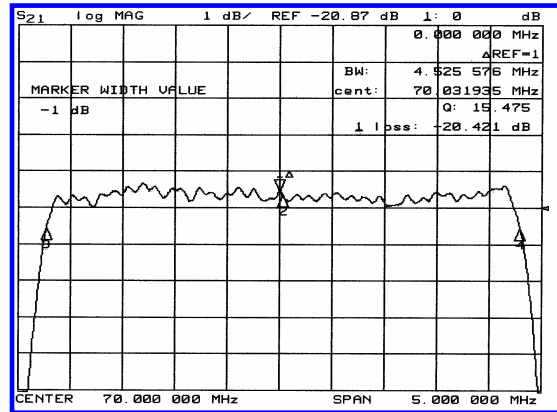
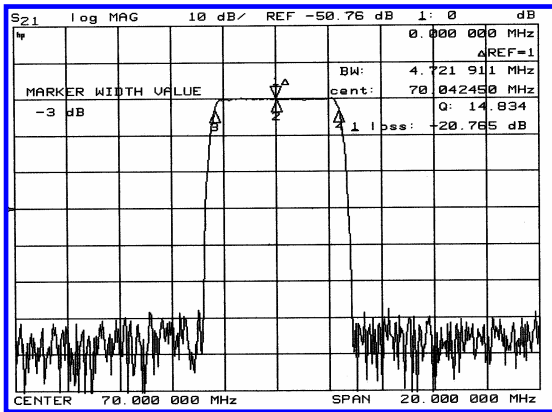


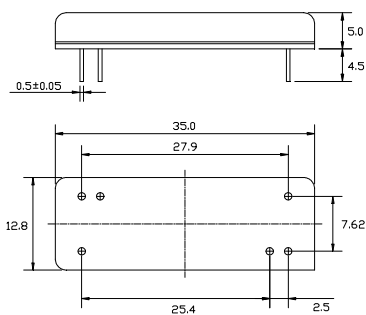
Typical Performance



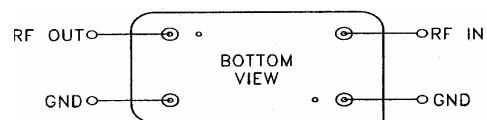
Specification

Parameter	Unit	Min.	Typ.	Max.
Center Frequency	Mhz	69.92	70.00	70.08
Insertion Loss	dB	-	21.00	22.50
1dB Bandwidth	Mhz	4.30	4.50	-
3dB Bandwidth	Mhz	4.50	4.73	-
50dB Bandwidth	Mhz	-	5.61	5.80
Passband Ripple	dB	-	0.65	1.00
Group Delay Variation	nsec	-	200	300
Absolute Delay	µsec	-	3.82	-
Ultimate Attenuation	dB	50	60	-
Substrate Material	-	YZ-LiNbO <sub>3</sub>		

Package Dimension



Matching Configuration



Bottom View  
Source / Load Impedance = 50Ω  
Ambient Temperature = 25°C