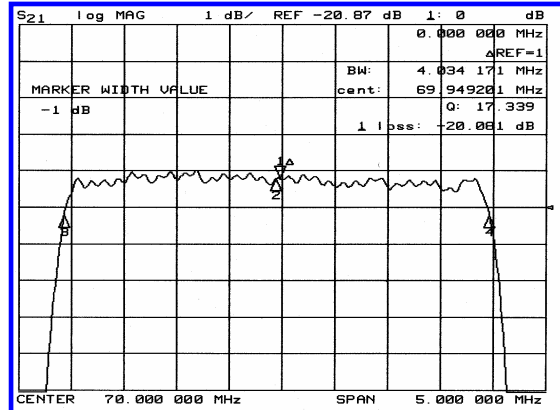
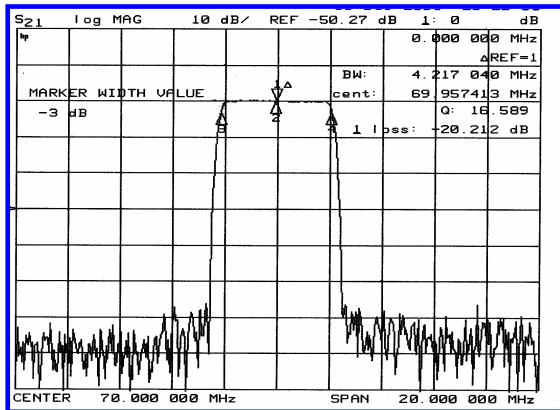


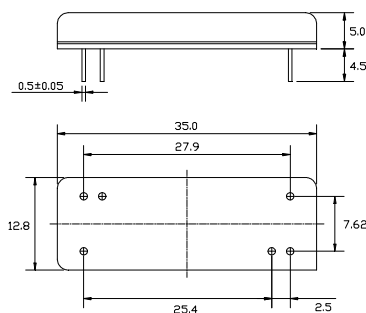
Typical Performance



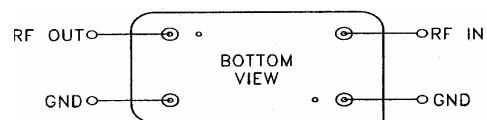
Specification

Parameter	Unit	Min.	Typ.	Max.
Center Frequency	Mhz	69.92	70.00	70.08
Insertion Loss	dB	-	20.50	22.00
1dB Bandwidth	Mhz	3.80	4.05	-
3dB Bandwidth	Mhz	4.00	4.20	-
50dB Bandwidth	Mhz	-	5.00	5.20
Passband Ripple	dB	-	0.55	1.00
Group Delay Variation	nsec	-	200	300
Absolute Delay	µsec	-	4.00	-
Ultimate Attenuation	dB	50	60	-
Substrate Material	-	YZ-LiNbO ₃		

Package Dimension



Matching Configuration



Bottom View
 Source / Load Impedance = 50Ω
 Ambient Temperature = 25°C