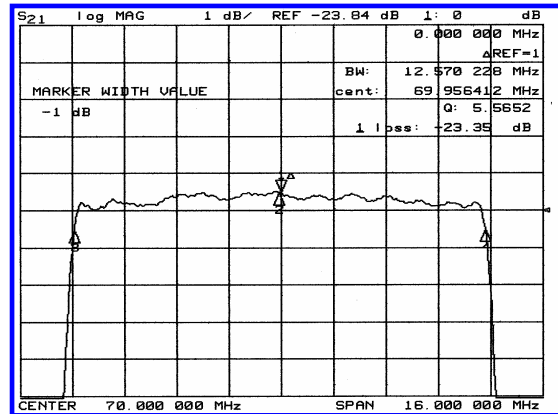
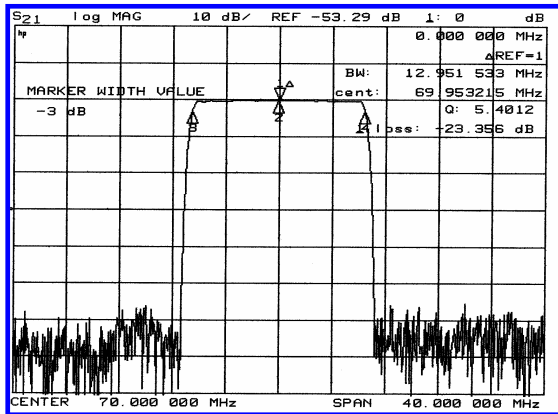


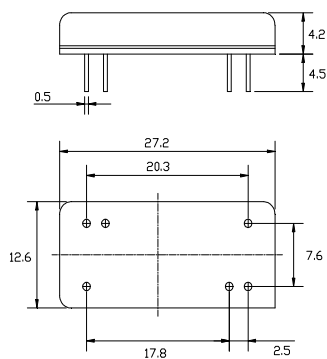
Typical Performance



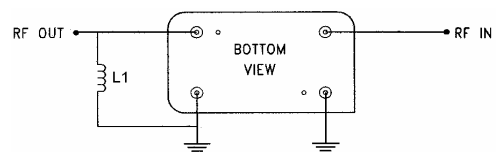
Specification

Parameter	Unit	Min.	Typ.	Max.
Center Frequency	Mhz	69.92	70.00	70.08
Insertion Loss	dB	-	23.50	25.00
1dB Bandwidth	Mhz	12.30	12.57	-
3dB Bandwidth	Mhz	12.80	12.95	-
40dB Bandwidth	Mhz	-	14.30	14.50
Passband Ripple	dB	-	0.45	0.80
Group Delay Variation	nsec	-	50	100
Absolute Delay	μsec	-	2.57	-
Ultimate Attenuation	dB	50	60	-
Substrate Material	-	128-LiNbO ₃		

Package Dimension



Matching Configuration



L1 = 150nH
 Source / Load Impedance = 50Ω
 Ambient Temperature = 25°C