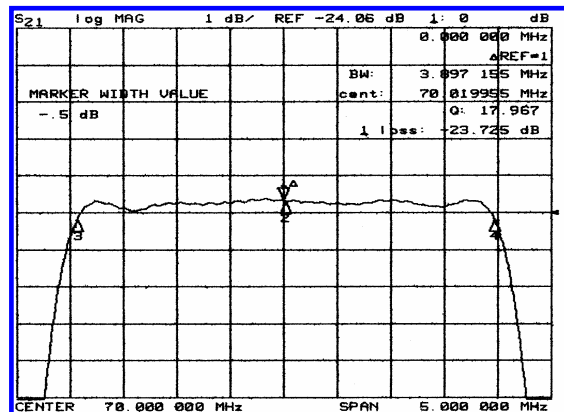
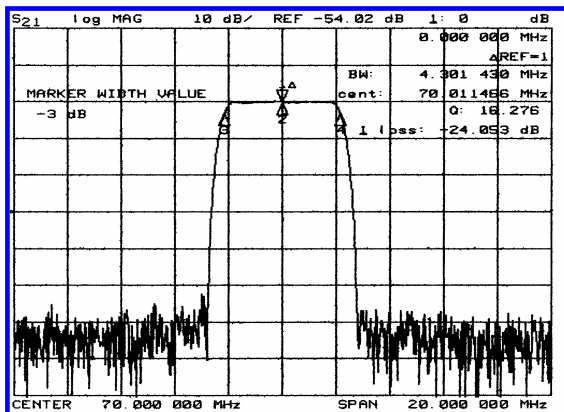


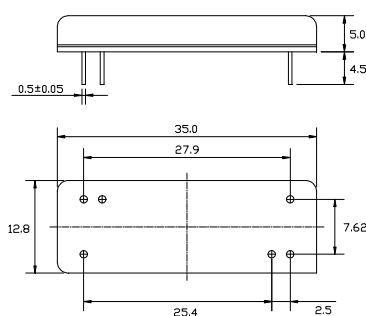
Typical Performance



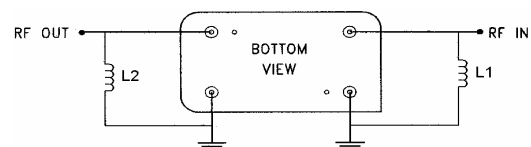
Specification

Parameter	Unit	Min.	Typ.	Max.
Center Frequency	Mhz	69.82	70.00	70.08
Insertion Loss	dB	-	24.00	25.50
1dB Bandwidth	Mhz	3.80	3.90	-
3dB Bandwidth	Mhz	4.20	4.28	-
50dB Bandwidth	Mhz	-	5.48	5.60
Passband Ripple	dB	-	0.55	1.00
Group Delay Variation	nsec		80	150
Absolute Delay	usec		3.78	
Ultimate Attenuation	dB	50	55	
Substrate Material	-		LiTaO <sub>3</sub>	

Package Dimension



Matching Configuration



L1 = 120nH , L2 = 120nH  
Source / Load Impedance = 50Ω  
Ambient Temperature = 25°C