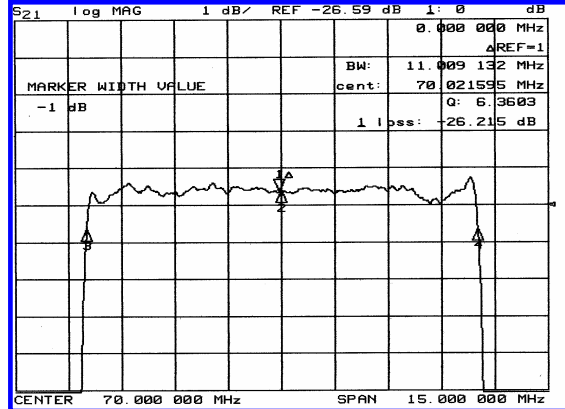
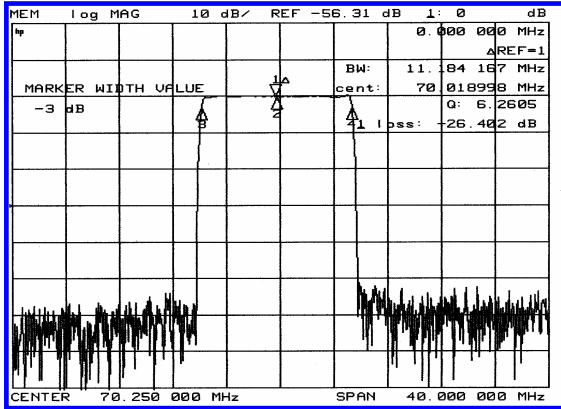


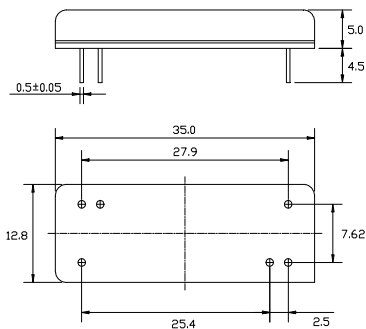
**Typical Performance**



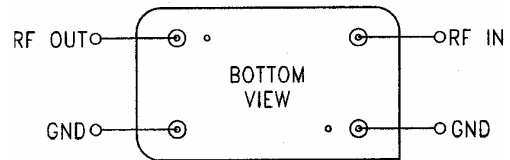
**Specification**

Parameter	Unit	Min.	Typ.	Max.
Center Frequency	Mhz	69.92	70.00	70.08
Insertion Loss	dB	-	26.50	27.50
1dB Bandwidth	Mhz	10.90	11.00	
3dB Bandwidth	Mhz	11.00	11.18	-
50dB Bandwidth	Mhz	-	11.99	12.20
Passband Ripple	dB	-	0.75	1.00
Group Delay Variation	nsec	-	80	150
Absolute Delay	µsec	-	3.75	-
Ultimate Attenuation	dB	50	55	-
Substrate Material	-	128- LiNbO <sub>3</sub>		

**Package Dimension**



**Matching Configuration**



No Matching Required  
Source / Load Impedance = 50Ω  
Ambient Temperature = 25°C