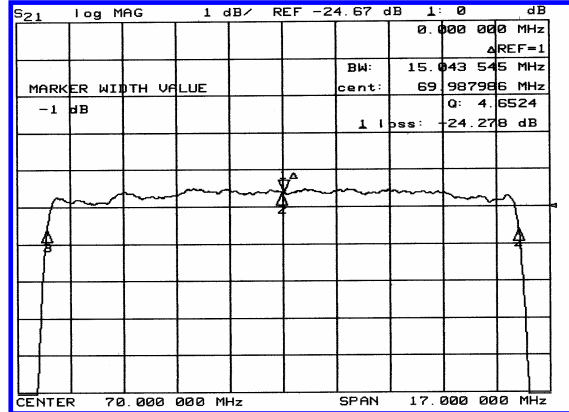
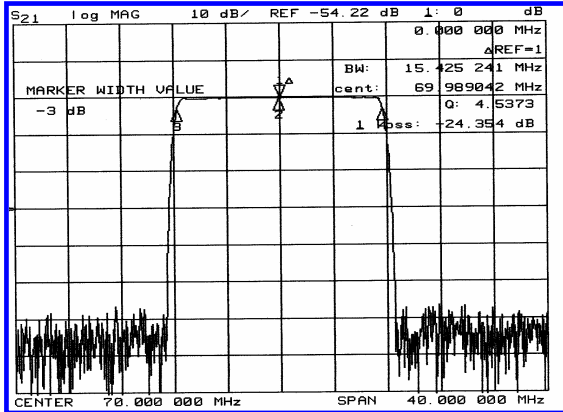


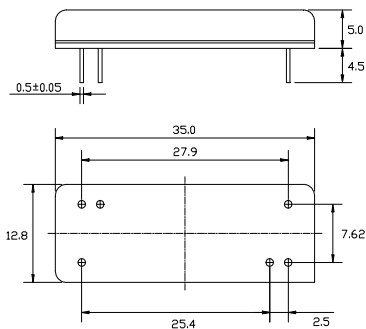
Typical Performance



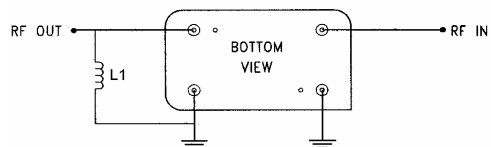
Specification

Parameter	Unit	Min.	Typ.	Max.
Center Frequency	Mhz	69.92	70.00	70.08
Insertion Loss	dB	-	24.50	26.00
1dB Bandwidth	Mhz	14.80	15.04	
3dB Bandwidth	Mhz	15.30	15.42	-
40dB Bandwidth	Mhz	-	16.92	17.20
Passband Ripple	dB	-	0.55	1.00
Group Delay Variation	nsec	-	80	150
Absolute Delay	µsec	-	2.27	-
Ultimate Attenuation	dB	50	55	-
Substrate Material	-	LiNbO <sub>3</sub>		

Package Dimension



Matching Configuration



L1 = 180nH  
Source / Load Impedance = 50Ω  
Ambient Temperature = 25°C