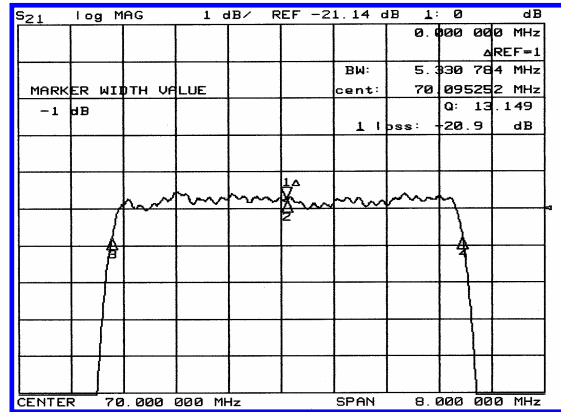
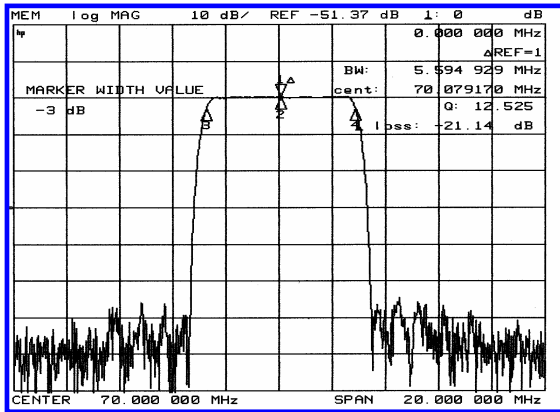


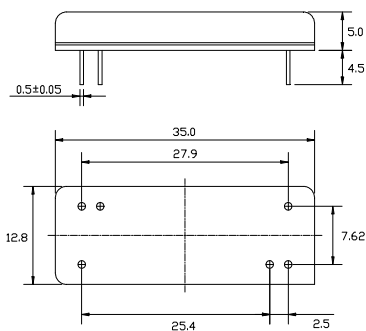
Typical Performance



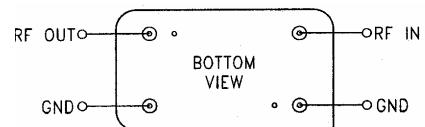
Specification

Parameter	Unit	Min.	Typ.	Max.
Center Frequency	Mhz	69.92	70.00	70.08
Insertion Loss	dB	-	21.50	23.00
1dB Bandwidth	Mhz	5.20	5.35	
3dB Bandwidth	Mhz	5.50	5.60	-
50dB Bandwidth	Mhz	-	6.75	7.00
Passband Ripple	dB	-	0.55	1.00
Group Delay Variation	nsec	-	150	250
Absolute Delay	µsec	-	2.89	-
Ultimate Attenuation	dB	50	55	-
Substrate Material	-	YZ- LiNbO ₃		

Package Dimension



Matching Configuration



No Matching Required
Source / Load Impedance = 50Ω
Ambient Temperature = 25°C