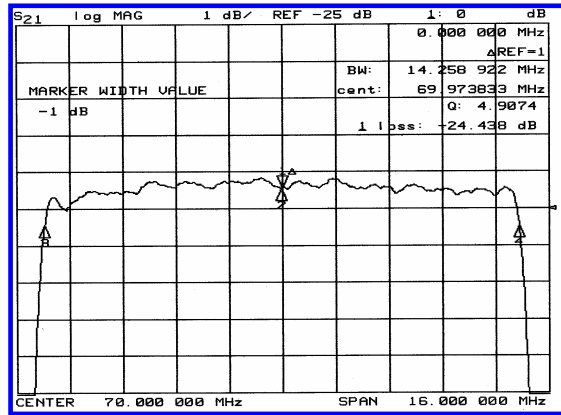
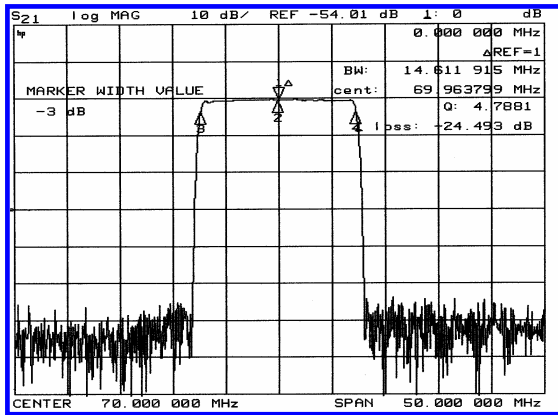


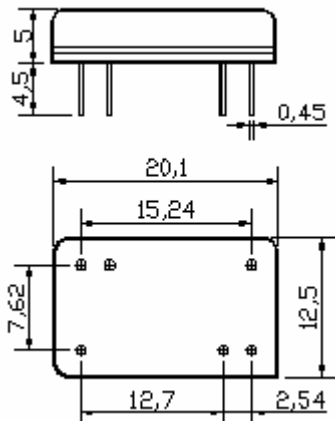
Typical Performance



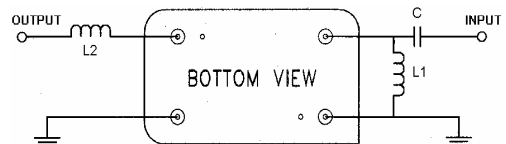
Specification

Parameter	Unit	Min.	Typ.	Max.
Center Frequency	Mhz	69.92	70.00	70.08
Insertion Loss	dB	-	24.50	26.00
1dB Bandwidth	Mhz	14.10	14.25	-
3dB Bandwidth	Mhz	14.50	14.60	-
40dB Bandwidth	Mhz	-	15.96	16.30
Passband Ripple	dB	-	0.75	1.00
Group Delay Variation	nsec	-	50	100
Absolute Delay	µsec	-	2.2	-
Ultimate Attenuation	dB	50	55	-
Substrate Material	-	128-LiNbO ₃		
Temperature Coefficient	ppm/°C	-72		

Package Dimension



Matching Configuration



L1=0.22µH, L2=0.12µH, C=56pF
Source / Load Impedance = 50Ω
Ambient Temperature = 25°C