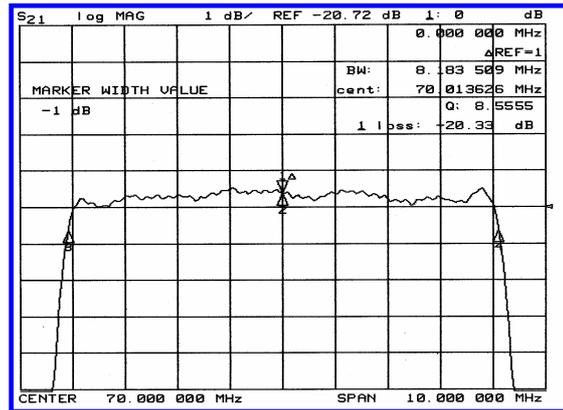
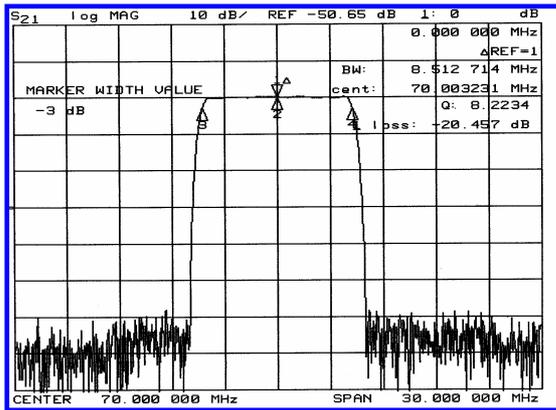


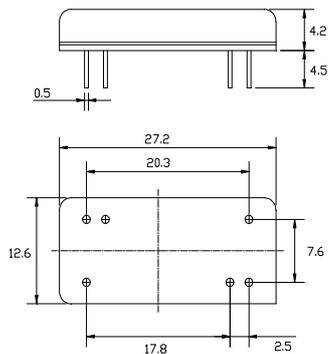
Typical Performance



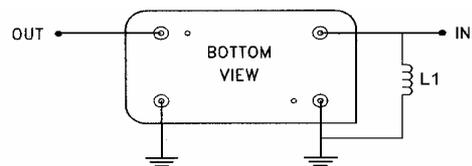
Specification

Parameter	Unit	Min.	Typ.	Max.
Center Frequency	Mhz	69.92	70.00	70.08
Insertion Loss	dB	-	20.50	22.00
1dB Bandwidth	Mhz	8.00	8.18	-
3dB Bandwidth	Mhz	8.40	8.50	-
50dB Bandwidth	Mhz	-	9.90	10.20
Passband Ripple	dB	-	0.55	1.00
Group Delay Variation	nsec	-	100	200
Absolute Delay	µsec	-	2.42	-
Ultimate Attenuation	dB	50	60	-
Substrate Material	-	128-LiNbO <sub>3</sub>		

Package Dimension



Matching Configuration



L1 = 150nH  
Source / Load Impedance = 50Ω  
Ambient Temperature = 25°C