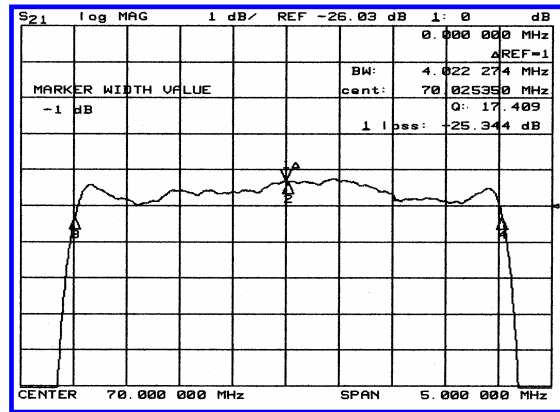
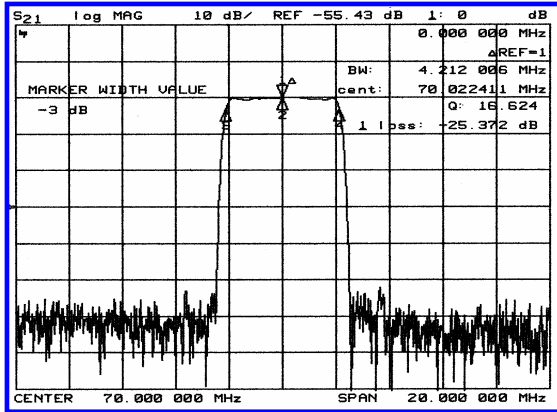


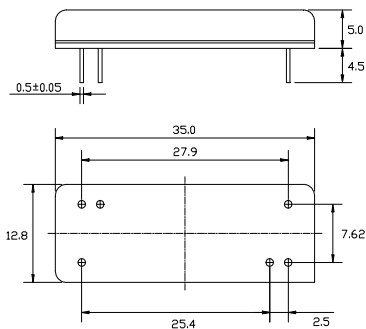
Typical Performance



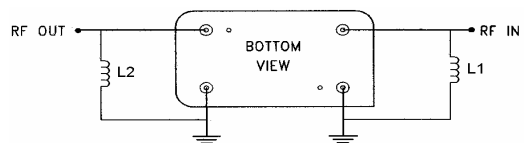
Specification

Parameter	Unit	Min.	Typ.	Max.
Center Frequency	Mhz	69.92	70.00	70.08
Insertion Loss	dB	-	25.50	26.50
1dB Bandwidth	Mhz	4.00	4.02	
3dB Bandwidth	Mhz	4.20	4.22	-
40dB Bandwidth	Mhz	-	4.87	5.00
Passband Ripple	dB	-	0.75	1.00
Group Delay Variation	nsec	-	200	300
Absolute Delay	µsec	-	5.30	-
Ultimate Attenuation	dB	50	55	-
Substrate Material	-	112-LiTaO ₃		

Package Dimension



Matching Configuration



L1 = 82nH , L2 = 47nH
Source / Load Impedance = 50Ω
Ambient Temperature = 25°C