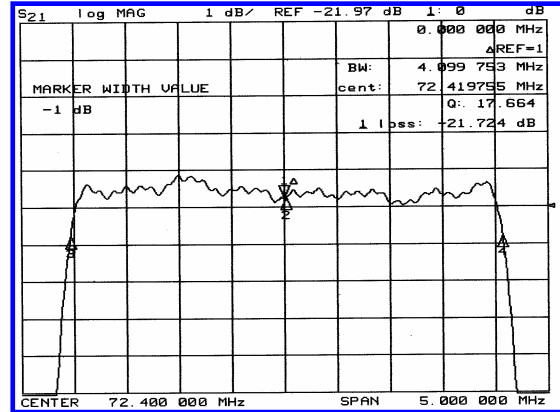
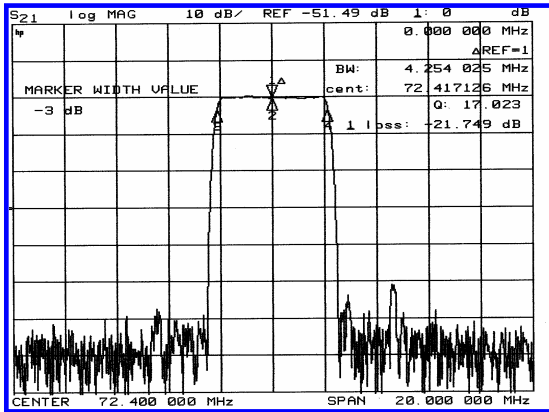


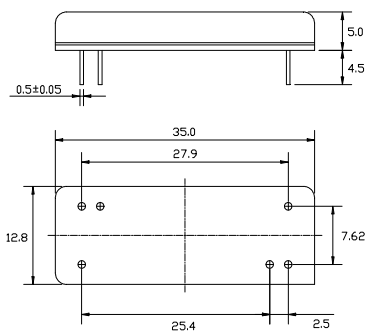
Typical Performance



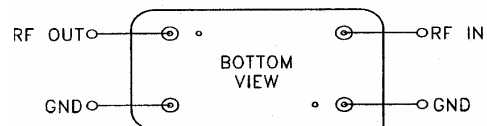
Specification

Parameter	Unit	Min.	Typ.	Max.
Center Frequency	Mhz	72.32	72.40	72.48
Insertion Loss	dB	-	22.00	24.00
1dB Bandwidth	Mhz	4.00	4.09	
3dB Bandwidth	Mhz	4.20	4.25	-
50dB Bandwidth	Mhz	-	4.98	5.10
Passband Ripple	dB	-	0.75	1.00
Group Delay Variation	nsec	-	200	300
Absolute Delay	µsec	-	4.10	-
Ultimate Attenuation	dB	50	55	-
Substrate Material	-	YZ-LiNbO <sub>3</sub>		

Package Dimension



Matching Configuration



No Matching Required  
Source / Load Impedance = 50Ω  
Ambient Temperature = 25°C