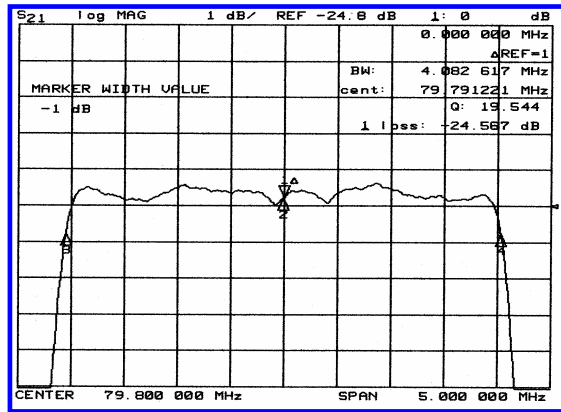
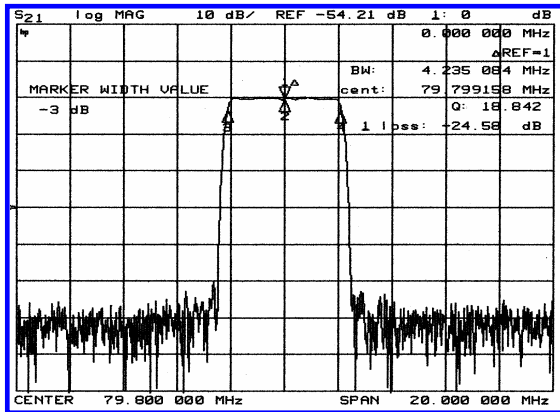


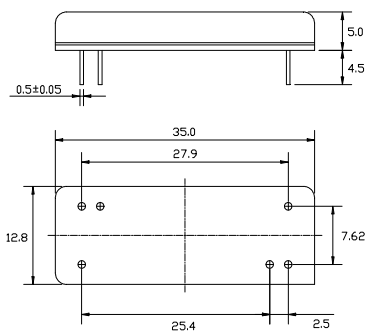
Typical Performance



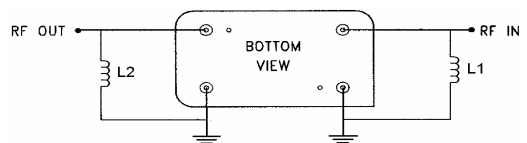
Specification

Parameter	Unit	Min.	Typ.	Max.
Center Frequency	Mhz	79.72	79.80	79.88
Insertion Loss	dB	-	24.50	26.00
1dB Bandwidth	Mhz	4.00	4.06	-
3dB Bandwidth	Mhz	4.20	4.23	-
40dB Bandwidth	Mhz	-	4.87	5.00
Passband Ripple	dB	-	0.75	1.00
Group Delay Variation	nsec	-	200	300
Absolute Delay	µsec	-	5.00	-
Ultimate Attenuation	dB	50	55	-
Substrate Material	-	112-LiTaO <sub>3</sub>		

Package Dimension



Matching Configuration



L1 = 82nH , L2 = 47nH  
 Source / Load Impedance = 50Ω  
 Ambient Temperature = 25°C