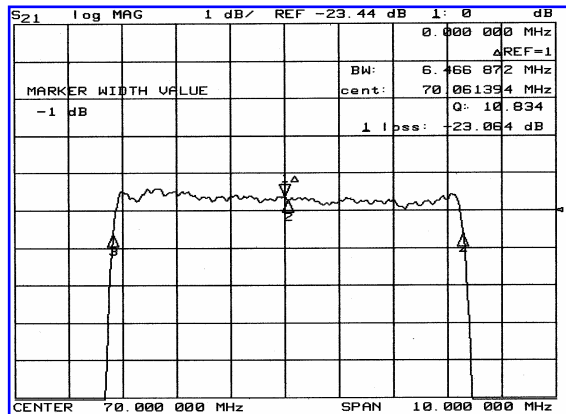
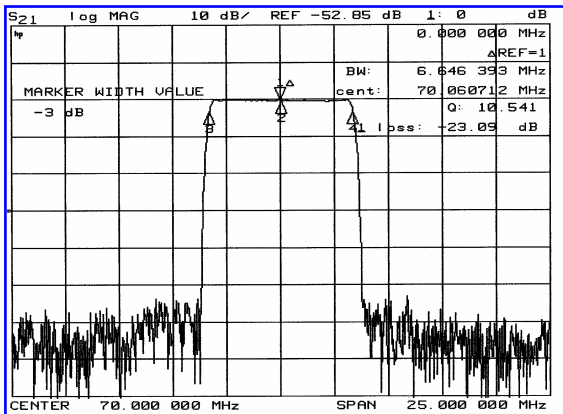


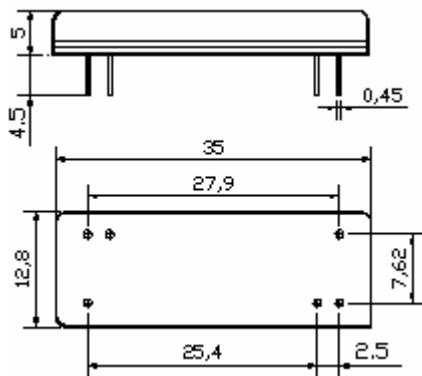
Typical Performance



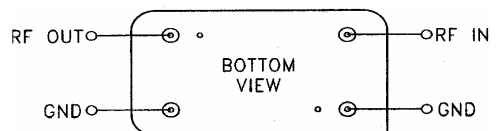
Specification

Parameter	Unit	Min.	Typ.	Max.
Center Frequency	Mhz	69.92	70.00	70.08
Insertion Loss	dB	-	23.00	24.50
1dB Bandwidth	Mhz	6.30	6.45	-
3dB Bandwidth	Mhz	6.50	6.65	-
50dB Bandwidth	Mhz	-	7.50	7.80
Passband Ripple	dB	-	0.65	1.00
Group Delay Variation	nsec	-	100	200
Absolute Delay	µsec	-	4.0	-
Ultimate Attenuation	dB	50	55	-
Substrate Material	-	YZ-LiNbO ₃		
Temperature Coefficient	ppm/°C	-94		

Package Dimension



Matching Configuration



No Matching required
Source / Load Impedance = 50Ω
Ambient Temperature = 25°C