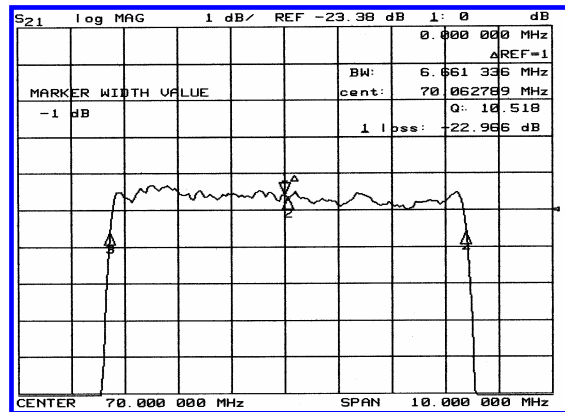
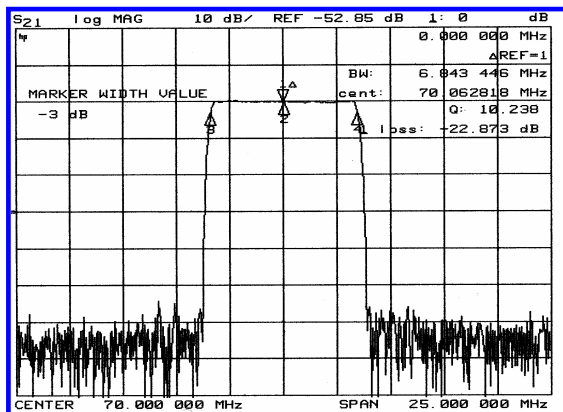


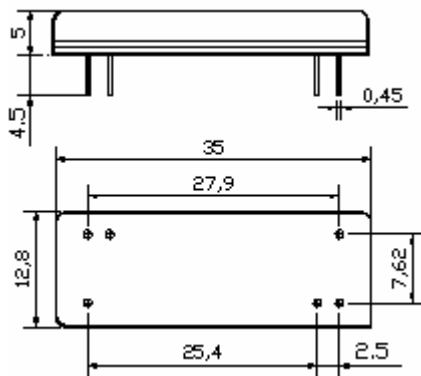
Typical Performance



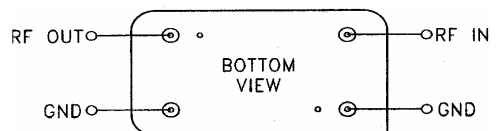
Specification

| Parameter | Unit | Min. | Typ. | Max. |
|-------------------------|--------|-----------------------|-------|-------|
| Center Frequency | Mhz | 69.92 | 70.00 | 70.08 |
| Insertion Loss | dB | - | 23.0 | 24.5 |
| 1dB Bandwidth | Mhz | 6.50 | 6.66 | - |
| 3dB Bandwidth | Mhz | 6.70 | 6.84 | - |
| 50dB Bandwidth | Mhz | - | 7.61 | 7.80 |
| Passband Ripple | dB | - | 0.75 | 1.00 |
| Group Delay Variation | nsec | - | 100 | 200 |
| Absolute Delay | µsec | - | 4.0 | - |
| Ultimate Attenuation | dB | 50 | 60 | |
| Substrate Material | - | YZ-LiNbO ₃ | | |
| Temperature Coefficient | ppm/°C | -94 | | |

Package Dimension



Matching Configuration



No Matching required
Source / Load Impedance = 50Ω
Ambient Temperature = 25°C