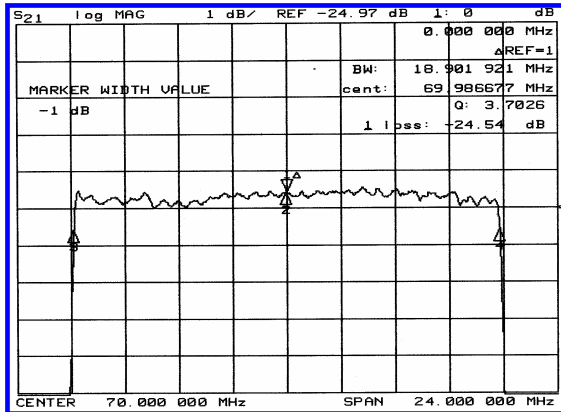
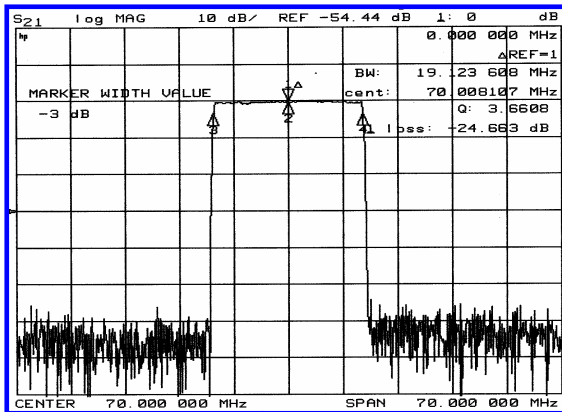


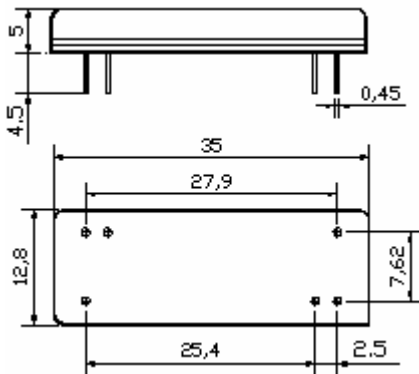
Typical Performance



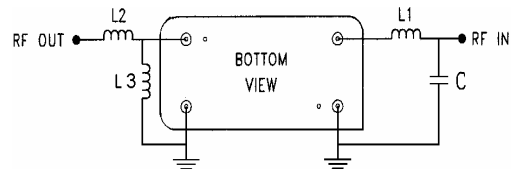
Specification

Parameter	Unit	Min.	Typ.	Max.
Center Frequency	Mhz	69.92	70.00	70.08
Insertion Loss	dB	-	24.5	25.5
1dB Bandwidth	Mhz	18.80	18.90	-
3dB Bandwidth	Mhz	19.00	19.12	-
50dB Bandwidth	Mhz	-	20.06	20.20
Passband Ripple	dB	-	0.65	1.00
Group Delay Variation	nsec	-	50	100
Absolute Delay	µsec	-	3.4	-
Ultimate Attenuation	dB	50	60	-
Substrate Material	-	128-LiNbO <sub>3</sub>		
Temperature Coefficient	ppm/°C	-72		

Package Dimension



Matching Configuration



L1=150nH, L2=82nH, L3=220nH, C=24pF  
 Source / Load Impedance = 50Ω  
 Ambient Temperature = 25°C