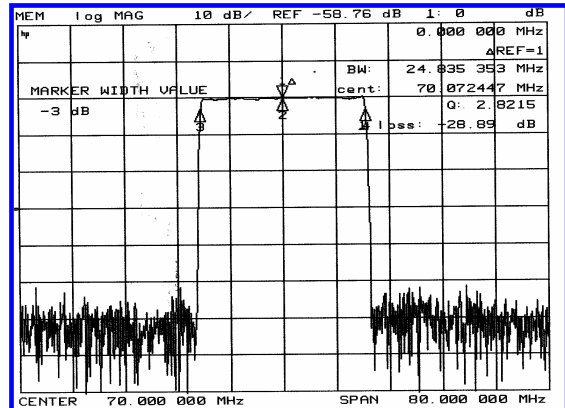
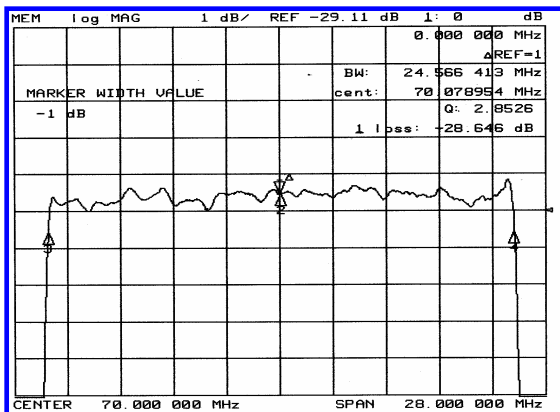


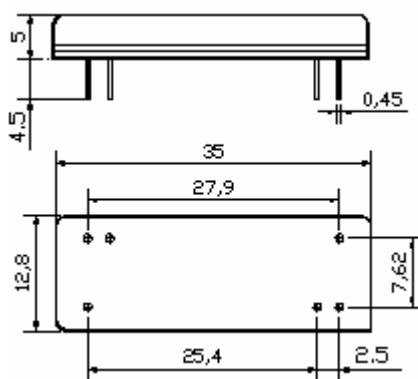
### Typical Performance



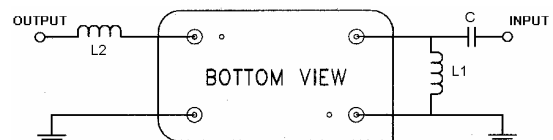
### Specification

Parameter	Unit	Min.	Typ.	Max.
Center Frequency	Mhz	69.92	70.00	70.08
Insertion Loss	dB	-	28.8	30.0
1dB Bandwidth	Mhz	24.50	24.56	-
3dB Bandwidth	Mhz	24.80	24.84	-
50dB Bandwidth	Mhz	-	26.11	26.30
Passband Ripple	dB	-	0.85	1.00
Group Delay Variation	nsec	-	50	100
Absolute Delay	µsec	-	2.6	-
Ultimate Attenuation	dB	50	55	-
Substrate Material	-	128-LiNbO <sub>3</sub>		
Temperature Coefficient	ppm/°C	-72		

### Package Dimension



### Matching Configuration



$L1 = L2 = 0.12\mu\text{H}$  ,  $C = 91\text{pF}$   
 Source / Load Impedance =  $50\Omega$   
 Ambient Temperature =  $25^\circ\text{C}$