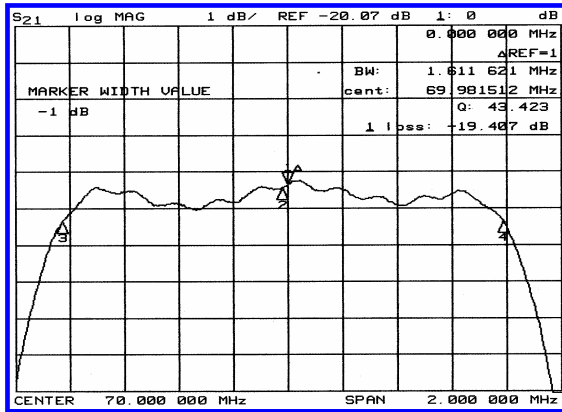
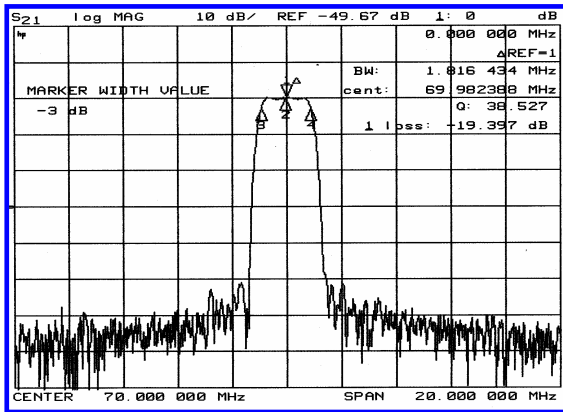


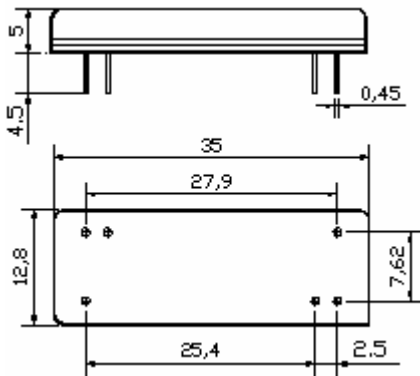
Typical Performance



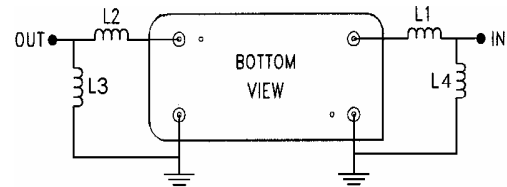
Specification

Parameter	Unit	Min.	Typ.	Max.
Center Frequency	Mhz	69.92	70.00	70.08
Insertion Loss	dB	-	19.5	21.0
1dB Bandwidth	Mhz	1.50	1.61	-
3dB Bandwidth	Mhz	1.70	1.81	-
40dB Bandwidth	Mhz	-	2.63	2.80
Passband Ripple	dB	-	0.85	1.00
Group Delay Variation	nsec	-	250	300
Absolute Delay	µsec	-	3.3	-
Ultimate Attenuation	dB	50	55	
Substrate Material	-	Quartz		
Temperature Coefficient	ppm/°C	-0.03		

Package Dimension



Matching Configuration



L1=L2=220nH , L3=L4=68nH
Source / Load Impedance = 50Ω
Ambient Temperature = 25°C