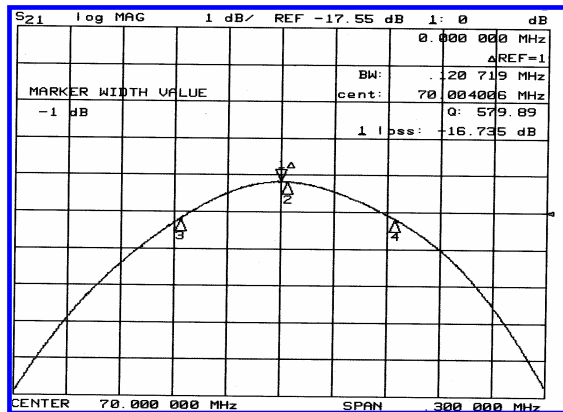
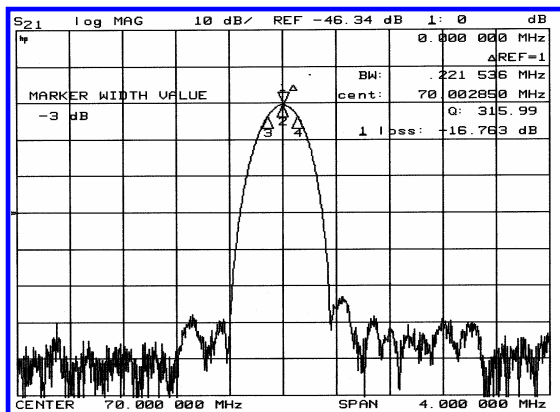


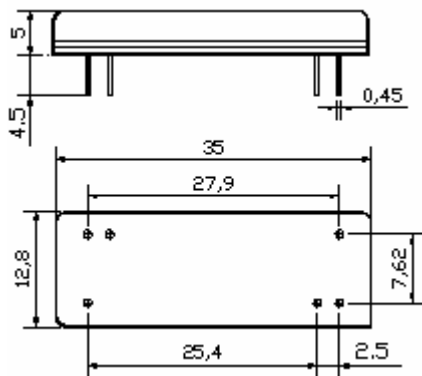
Typical Performance



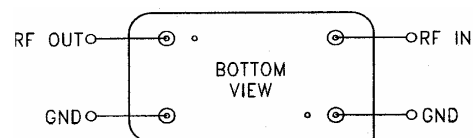
Specification

Parameter	Unit	Min.	Typ.	Max.
Center Frequency	Mhz	69.92	70.00	70.08
Insertion Loss	dB	-	17.0	18.5
1dB Bandwidth	Mhz	0.10	0.12	-
3dB Bandwidth	Mhz	0.20	0.22	-
40dB Bandwidth	Mhz	-	0.68	0.80
Passband Ripple	dB	-	0.45	0.70
Group Delay Variation	nsec	-	250	300
Absolute Delay	µsec	-	4.0	-
Ultimate Attenuation	dB	50	55	
Substrate Material	-	Quartz		
Temperature Coefficient	ppm/°C	-0.03		

Package Dimension



Matching Configuration



No Matching required
Source / Load Impedance = 50Ω
Ambient Temperature = 25°C