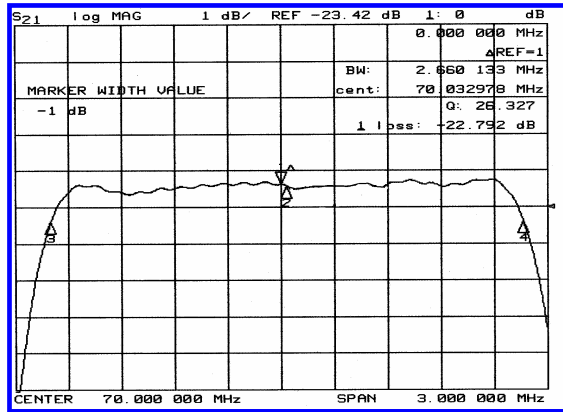
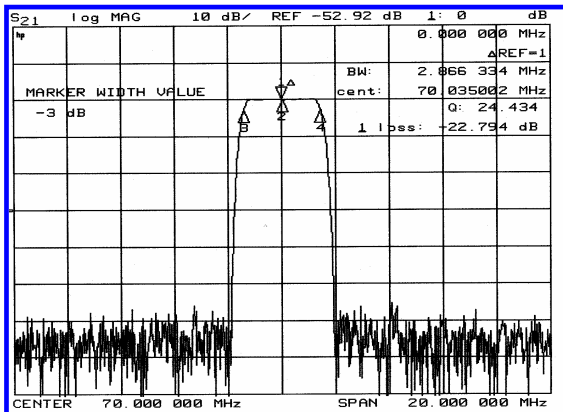


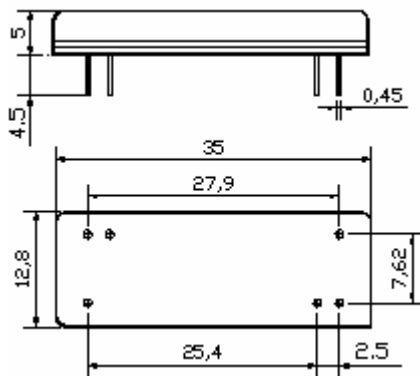
Typical Performance



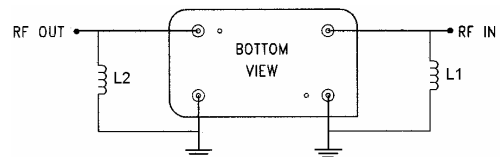
Specification

Parameter	Unit	Min.	Typ.	Max.
Center Frequency	Mhz	69.92	70.00	70.08
Insertion Loss	dB	-	22.5	24.0
1dB Bandwidth	Mhz	2.60	2.62	-
3dB Bandwidth	Mhz	2.80	2.84	-
40dB Bandwidth	Mhz	-	3.65	-
Passband Ripple	dB	-	0.55	0.80
Group Delay Variation	nsec	-	100	200
Absolute Delay	µsec	-	4.3	-
Ultimate Attenuation	dB	50	60	-
Substrate Material	-	LiTaO <sub>3</sub>		
Temperature Coefficient	ppm/°C	-20		

Package Dimension



Matching Configuration



L1 = L2 = 100nH  
Source / Load Impedance = 50Ω  
Ambient Temperature = 25°C