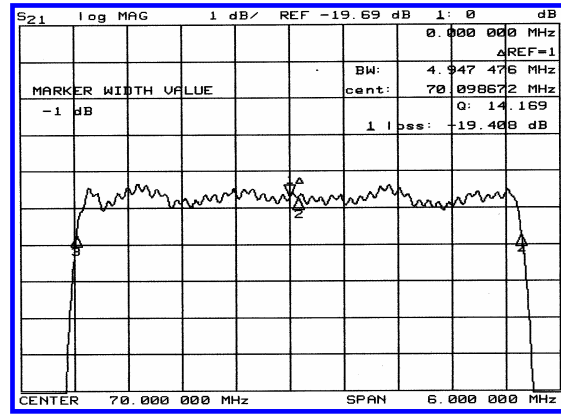
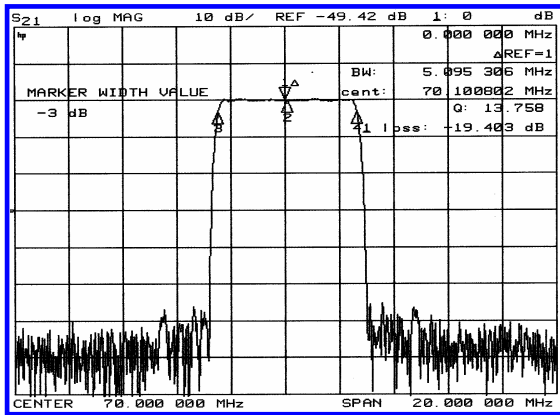


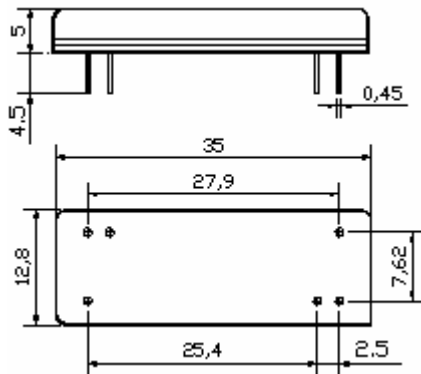
Typical Performance



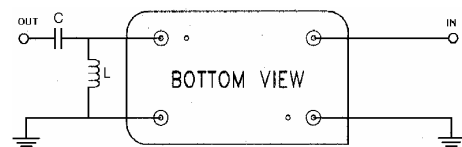
Specification

Parameter	Unit	Min.	Typ.	Max.
Center Frequency	Mhz	69.92	70.00	70.08
Insertion Loss	dB	-	19.5	21.0
1dB Bandwidth	Mhz	4.85	4.94	-
3dB Bandwidth	Mhz	5.00	5.09	-
50dB Bandwidth	Mhz	-	5.78	5.90
Passband Ripple	dB	-	0.65	1.00
Group Delay Variation	nsec	-	100	200
Absolute Delay	µsec	-	4.6	-
Ultimate Attenuation	dB	50	60	-
Substrate Material	-	YZ-LiNbO ₃		
Temperature Coefficient	ppm/°C	-94		

Package Dimension



Matching Configuration



L1 = 0.15µH , C = 300pF
Source / Load Impedance = 50Ω
Ambient Temperature = 25°C