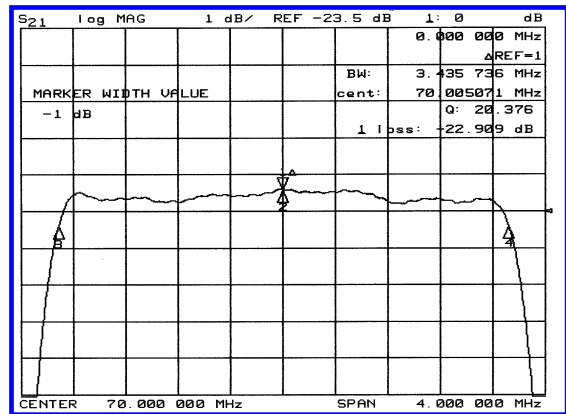
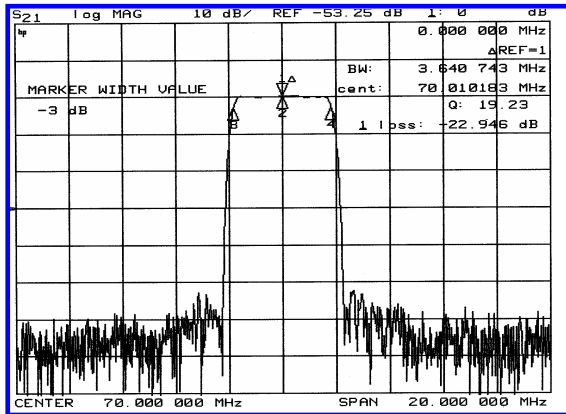


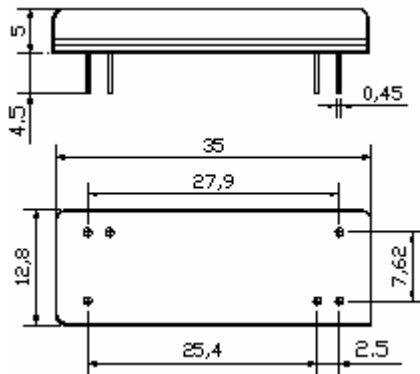
Typical Performance



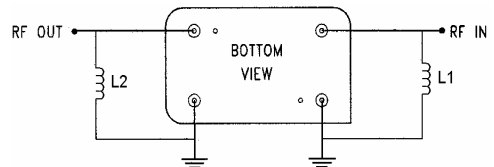
Specification

Parameter	Unit	Min.	Typ.	Max.
Center Frequency	Mhz	69.92	70.00	70.08
Insertion Loss	dB	-	23.0	24.5
1dB Bandwidth	Mhz	3.35	3.43	-
3dB Bandwidth	Mhz	3.60	3.64	-
50dB Bandwidth	Mhz	-	4.46	4.60
Passband Ripple	dB	-	0.55	0.80
Group Delay Variation	nsec	-	100	200
Absolute Delay	µsec	-	5.0	-
Ultimate Attenuation	dB	50	60	
Substrate Material	-	LiTaO ₃		
Temperature Coefficient	ppm/°C	-20		

Package Dimension



Matching Configuration



L1 = L2 = 100nH
Source / Load Impedance = 50Ω
Ambient Temperature = 25°C