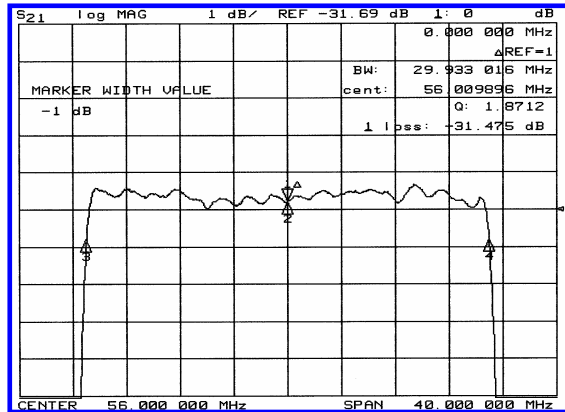
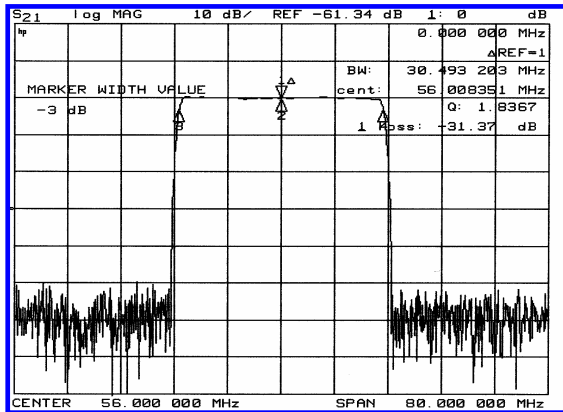


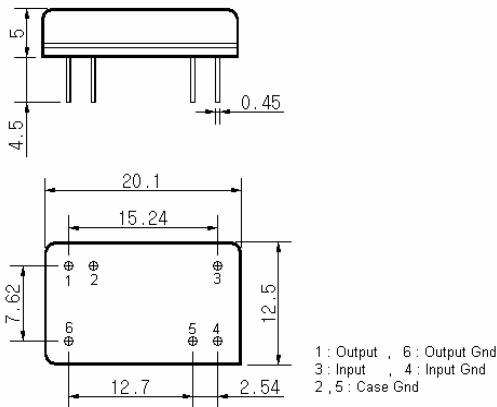
Typical Performance



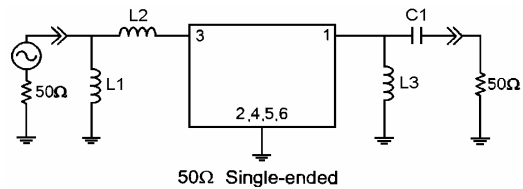
Specification

Parameter	Unit	Min.	Typ.	Max.
Center Frequency	Mhz	55.92	56.00	56.08
Insertion Loss	dB	-	31.50	33.00
1dB Bandwidth	Mhz	29.80	29.95	-
3dB Bandwidth	Mhz	30.30	30.50	-
40dB Bandwidth	Mhz	-	32.80	33.00
Passband Ripple	dB	-	0.65	1.00
Group Delay Variation	nsec	-	20	50
Absolute Delay	µsec	-	1.6	-
Ultimate Attenuation	dB	50	55	
Substrate Material	-	128-LiNbO ₃		
Temperature Coefficient	ppm/°C	-72		

Package Dimension



Matching Configuration



L1=0.33µH, L2=220nH, L3=0.27µH, C1=51pF
Source / Load Impedance = 50Ω
Ambient Temperature = 25°C