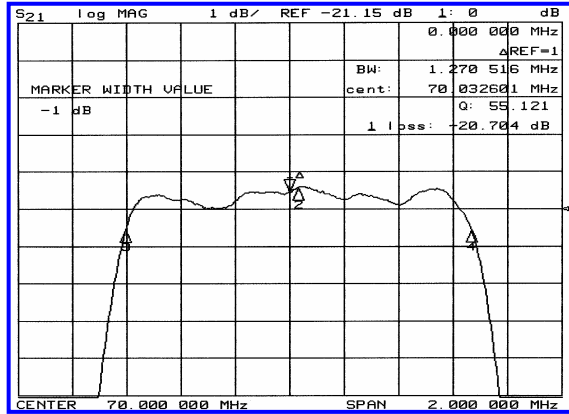
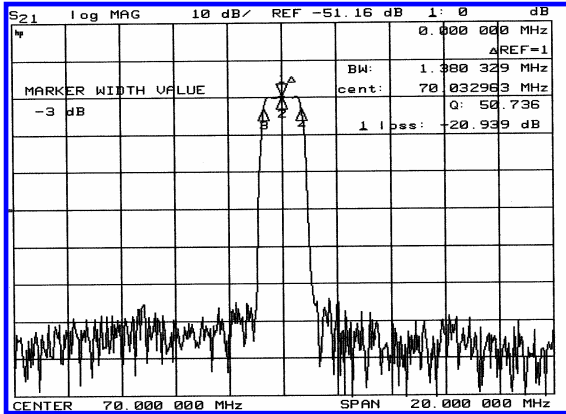


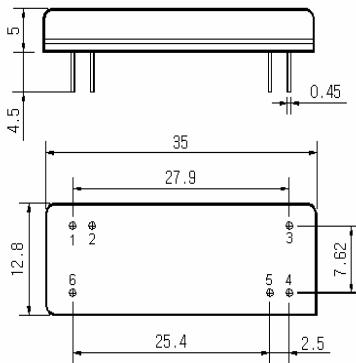
Typical Performance



Specification

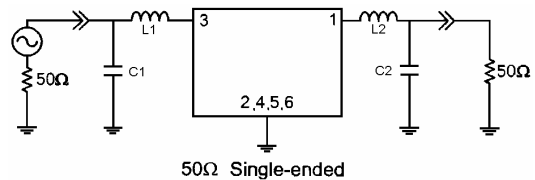
Parameter	Unit	Min.	Typ.	Max.
Center Frequency	Mhz	69.94	70.00	70.06
Insertion Loss	dB	-	21.00	23.00
1dB Bandwidth	Mhz	1.23	1.28	-
3dB Bandwidth	Mhz	1.30	1.38	-
40dB Bandwidth	Mhz	-	1.90	2.00
Passband Ripple	dB	-	0.75	1.00
Group Delay Variation	nsec	-	300	500
Absolute Delay	µsec	-	4.7	-
Ultimate Attenuation	dB	50	60	
Substrate Material	-	Quartz		
Temperature Coefficient	ppm/°C	-0.03		

Package Dimension



1 : Output , 6 : Output Gnd
 3 : Input , 4 : Input Gnd
 2 , 5 : Case Gnd

Matching Configuration



$L1=L2=0.22\mu\text{H}$, $C1=C2=36\text{pF}$
 Source / Load Impedance = 50Ω
 Ambient Temperature = 25°C