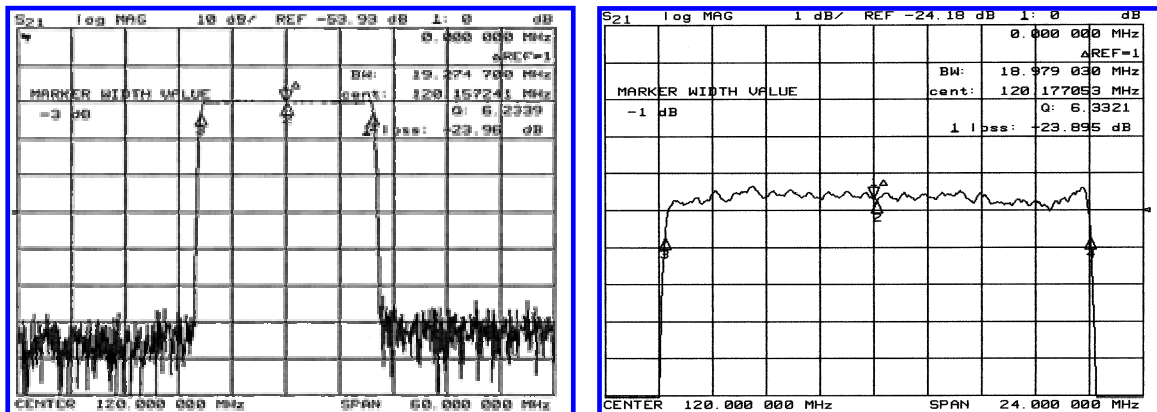


# SGC Technologies Inc 120.2 MHz Bandpass Filter 19.2 MHz Bandwidth

322082

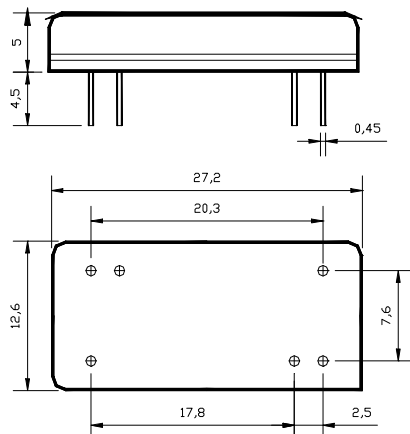
## Typical Performance



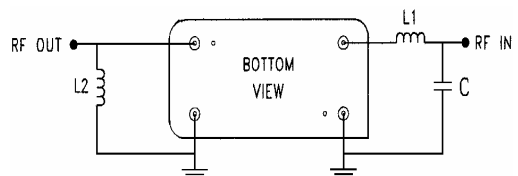
## Specification

Parameter	Unit	Min.	Typ.	Max.
Center Frequency	Mhz	120.05	120.20	120.35
Insertion Loss	dB	-	23.50	25.00
1dB Bandwidth	Mhz	18.90	19.00	-
3dB Bandwidth	Mhz	19.10	19.25	-
40dB Bandwidth	Mhz	-	20.45	20.55
Passband Ripple	dB	-	0.65	1.00
Group Delay Variation	nsec	-	70	120
Absolute Delay	µsec	-	2.7	-
Ultimate Attenuation	dB	50	55	-
Substrate Material	-	128-LiNbO <sub>3</sub>		
Temperature Coefficient	ppm/°C	-72		

## Package Dimension



## Matching Configuration



L1=56nH, L2=220nH, C=20pF  
Source / Load Impedance = 50Ω  
Ambient Temperature = 25°C

12/17/2004