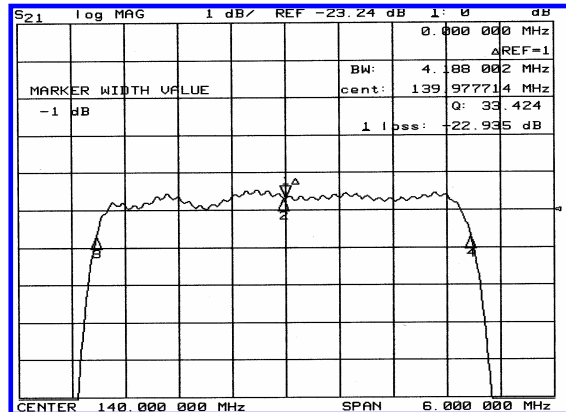
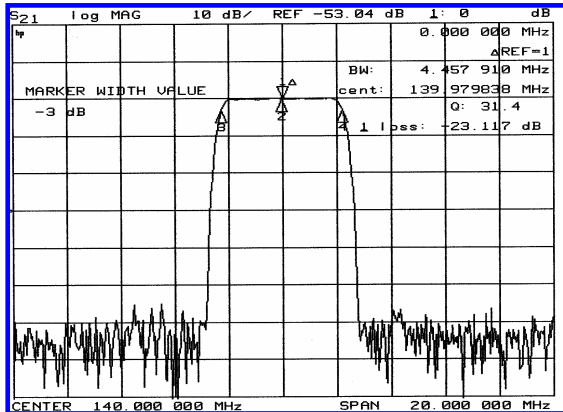


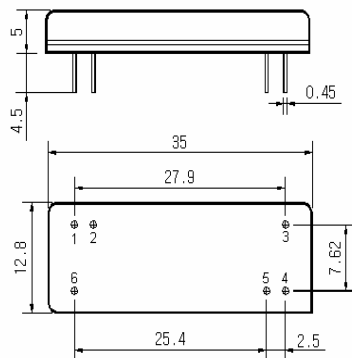
Typical Performance



Specification

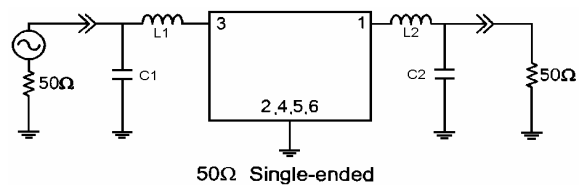
Parameter	Unit	Min.	Typ.	Max.
Center Frequency	Mhz	139.90	140.00	140.10
Insertion Loss	dB	-	23.00	24.50
1dB Bandwidth	Mhz	4.05	4.18	-
3dB Bandwidth	Mhz	4.35	4.45	-
40dB Bandwidth	Mhz	-	5.44	5.60
Passband Ripple	dB	-	0.65	1.00
Group Delay Variation	nsec	-	80	120
Absolute Delay	µsec	-	4.0	-
Ultimate Attenuation	dB	50	60	
Substrate Material	-	LiTaO ₃		
Temperature Coefficient	ppm/°C	-20		

Package Dimension



1 : Output , 6 : Output Gnd
3 : Input , 4 : Input Gnd
2, 5 : Case Gnd

Matching Configuration



L1=22nH, L2=22nH, C1=20pF, C2=20pF
Source / Load Impedance = 50Ω
Ambient Temperature = 25°C