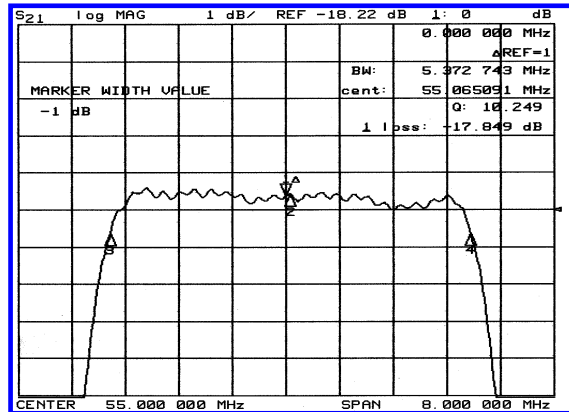
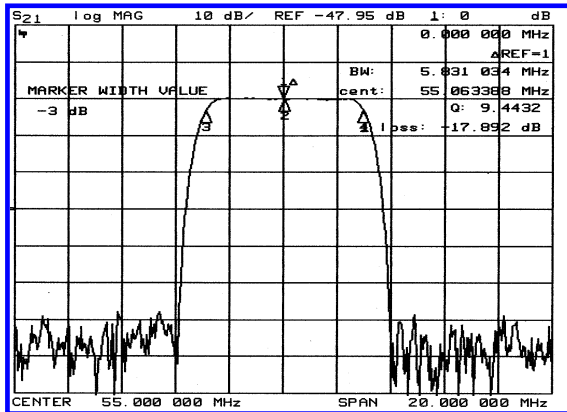


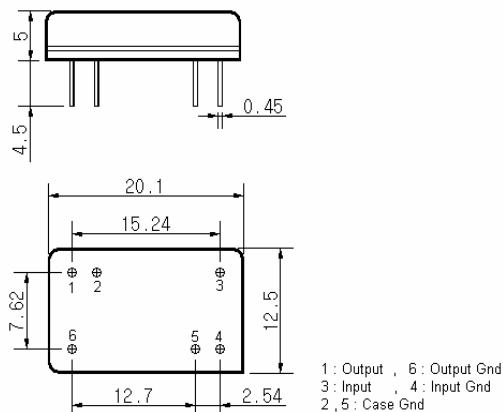
Typical Performance



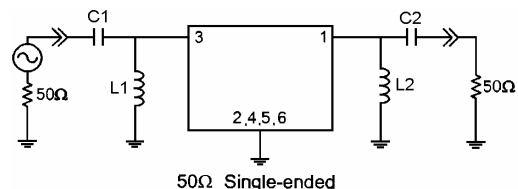
Specification

Parameter	Unit	Min.	Typ.	Max.
Center Frequency	Mhz	54.92	55.00	55.08
Insertion Loss	dB	-	18.00	20.00
1dB Bandwidth	Mhz	5.20	5.37	-
3dB Bandwidth	Mhz	5.70	5.83	-
40dB Bandwidth	Mhz	-	7.55	7.80
50dB Bandwidth	Mhz	-	7.72	-
Passband Ripple	dB	-	0.55	1.00
Group Delay Variation	nsec	-	100	200
Absolute Delay	μsec	-	2.1	-
Ultimate Attenuation	dB	50	60	-
Substrate Material	-	128-LiNbO ₃		
Temperature Coefficient	ppm/°C ²	-72		

Package Dimension



Matching Configuration



L1=L2=0.22μH, C1=68pF, C2=56pF
 Source / Load Impedance = 50Ω
 Ambient Temperature = 25°C

