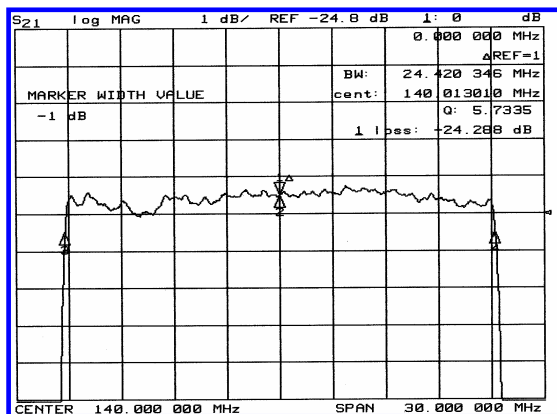
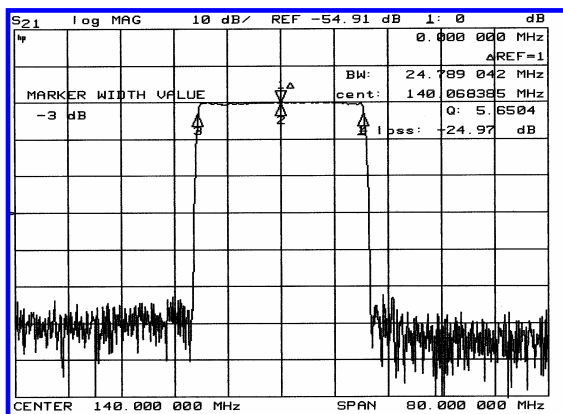


# SGC Technologies Inc 140.0 MHz Bandpass Filter

## 24.8 MHz Bandwidth

512209

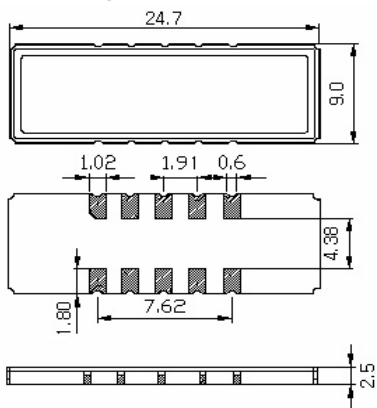
### Typical Performance



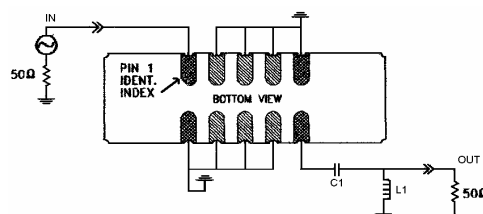
### Specification

Parameter	Unit	Min.	Typ.	Max.
Center Frequency	Mhz	139.85	140.00	140.15
Insertion Loss	dB	-	25.0	27.0
1dB Bandwidth	Mhz	24.35	24.42	-
3dB Bandwidth	Mhz	24.70	24.78	-
25dB Bandwidth	Mhz	-	26.00	26.08
40dB Bandwidth	Mhz	-	26.33	26.40
Passband Ripple	dB	-	0.75	1.00
Group Delay Variation	nsec	-	50	100
Absolute Delay	µsec	-	2.2	-
Ultimate Attenuation	dB	50	55	-
Substrate Material	-	128-LN		
Temperature Coefficient	ppm/°C	-72		

### Package Dimension



### Matching Configuration



L1 = 56nH , C1 = 75pF  
 Source / Load Impedance = 50Ω  
 Ambient Temperature = 25°C

03/03/2004