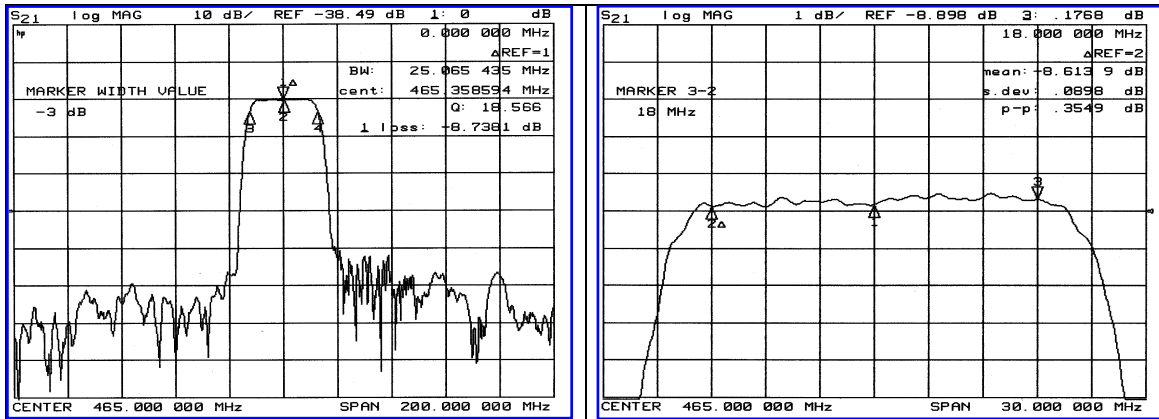


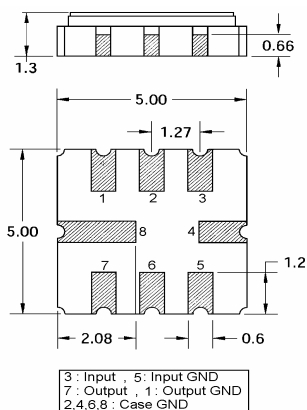
Typical Performance



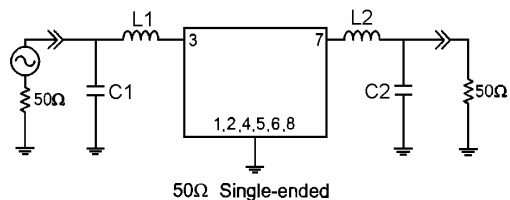
Specification

Parameter	Unit	Min.	Typ.	Max.
Center Frequency (Fc)	Mhz	-	465.0	-
Insertion Loss at Fc	dB	-	8.50	11.00
1dB Bandwidth	Mhz	22.00	23.00	-
3dB Bandwidth	Mhz	-	25.00	-
40dB Bandwidth	Mhz	-	35.24	-
Passband Ripple (Fc±9.0Mhz)	dB	-	0.40	1.00
Group Delay Variation (Fc±9.0Mhz)	nsec	-	20	50
Absolute Delay	µsec	-	0.4	-
Ultimate Attenuation		-		
10 ~ 440.0 Mhz	dB	40	50	-
490.0 ~ 580.0 Mhz	dB	35	50	-
Substrate Material	-	YZ-LiNbO ₃		
Temperature Coefficient	ppm/°C	-86		

Package Dimension



Matching Configuration



L1=12nH, L2=15nH, C1=11pF, C2=10pF
Source / Load Impedance = 50Ω
Ambient Temperature = 25°C

